

LX560/LX565

Cutter Pinfeed/Pinless/Stacker
Klipp Pinfeed/Pinless/Stacker

01-LX560-1 tom 28 och 02-LX560-101 tom 115
01-LX560-1 up to 28 and 02-LX560-101 up to 115


Parts ordering procedure


To order parts, for any LasermaxRoll Systems machine you must first adhere to parts ordering procedures of your company. If your company does not stock and supply parts for LasermaxRoll Systems machines and you have agreement to order parts directly from LasermaxRoll Systems, please copy and fill in the parts ordering form on the following page and fax to the number you find in LasermaxRoll Systems Technical Documentation, section 1 under the heading LasermaxRoll Systems Business & Off Hours Phone Numbers.


Symbol information

36T The notation "Tag" after the item number in the part list illustration indicates that the part configuration has been updated. The "Info"- column states the "Tag-number" valid for the present machine. Check the Change tag index in Section 6, General Procedure and information for the name and purpose of the modification.

Whenever you install a Tag-kit or all the parts that make up a Tag, mark the appropriate number on the Tag matrix. The Tag matrix is located in the electrical schematic folder.

 This symbol indicates that there is a repair removal procedure for that individual part or assembly in section 4 of the service manual.

 This symbol indicates that there is an adjustment procedure for that individual part or assembly in section 4 of the service manual.

 This symbol indicates that there is both a repair or removal procedure and an adjustment procedure for that individual part or assembly in section 4 of the service manual.

* This symbol indicates that something on this line has been altered since the preceding edition.

• This symbol indicates that the article is included in the nearest above unit/kit without any dot. If an article has two dots it is included in the nearest above unit/kit with one dot, and so on.

Rq This indicates that quantity or length must be stated.

Serial No. 09C20006
year machine type

EDITION 4 21.2009
week No. year

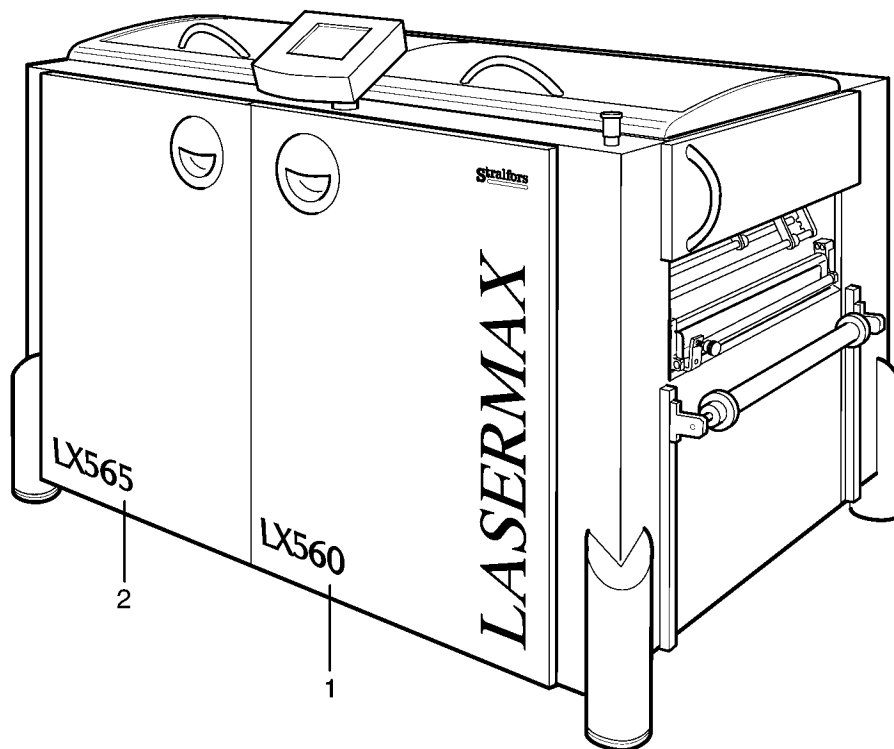
List of illustrations

LX560/LX565

Illustration	Page	Table of contents
1862	45	Middle knife, upto 04LX560024
1863	49	Edge trimmer, up to 050920
1864	43	Pin feed
1881	53	Offset up to 02-LX560-29
1901	25	Upper wiper
1902	27	Lower wiper
1904	29	Gables and distances
1905	39	Drive unit, middle cut, marging trim and pin feeding
1906	37	Middle knife unit
1907	33	Movable beam
1908	23	Infeed, guide plate
1910	15	Covers and doors LX560
1911	69	Covers and doors LX565
1912	55	Cut. unit
1916	93	Elevator
1917	87	Drive unit up to 01-LX565-28
1918	75	Infeed up to 01-LX565-28
1919	91	Table up to 01-LX565-28
1920	79	Frame up to 01-LX565-28
1921	83	Stop
1925	11	Assembly LX560
1926	67	Assembly LX565
1927	9	Assembly LX560/LX565
1934	59	EI-cabinet No. 739538
1935	95	EI-cabinet No. 739539
1936	21	Paper guide
1937	13	Stand
1991	65	Cables LNX CPU
1993	57	Display unit, up to 02-LX560-03
2022	19	Top cover
2024	71	Top cover up to 02-LX565-5
2025	73	Top cover from 02-LX565-6 up to 20
2048	35	Pressure roller, complete
2083	63	LNX CPU complete
2257	47	Middle knife, from 04LX560025
2434	85	UP3i-kit, option

LX560/LX565

Table of contents	Innehållsförteckning	Page/Sida
Assembly LX560/LX565	Sammanställning LX560/LX565	9
Assembly LX560	Sammanställning LX560	11
Stand	Stativ	13
Covers and doors LX560	Skydd och dörrar LX560	15
Top cover	Topplucka	19
Paper guide	Pappersstyrning	21
Infeed, guide plate	Inmatning, styrplåtar	23
Upper wiper	Övre avstrykare	25
Lower wiper	Nedre avstrykare	27
Gables and distances	Gavlar och distanser	29
Movable beam	Rörlig balk	33
Pressure roller, complete	Tryckrulle, komplett	35
Middle knife unit	Mittskärsenhet	37
Drive unit, middle cut, margining trim and pin feeding	Drivning, mittskär, kantskär och traktormatning	39
Pin feed	Traktormatning	43
Middle knife, upto 04LX560024	Mittskär, t o m 04LX560024	45
Middle knife, from 04LX560025	Mittskär, fr o m 04LX560025	47
Edge trimmer, up to 050920	Kantskär, t o m 050920	49
Offset up to 02-LX560-29	Offset t.o.m. 02-LX560-29	53
Cut. unit	Klippaggregat	55
Display unit, up to 02-LX560-03	Displayenhet, tom 02-LX560-03	57
EI-cabinet No. 739538	EI-skåp nr. 739538	59
LNX CPU complete	LNX CPU komplett	63
Cables LNX CPU	Kablar LNX CPU	65
Assembly LX565	Sammanställning LX565	67
Covers and doors LX565	Skydd och dörrar LX565	69
Top cover up to 02-LX565-5	Topplöck t.o.m 02-LX565-5	71
Top cover from 02-LX565-6 up to 20	Topplöck from 02-LX565-6 t.o.m. 20	73
Infeed up to 01-LX565-28	Inmatning t.o.m. 01-LX565-28	75
Frame up to 01-LX565-28	Ram t.o.m. 01-LX565-28	79
Stop	Stopp	83
UP3i-kit, option	UP3i-kit, option	85
Drive unit up to 01-LX565-28	Drivning t.o.m. 01-LX565-28	87
Table up to 01-LX565-28	Bord t.o.m. 01-LX565-28	91
Elevator	Hiss	93
EI-cabinet No. 739539	EI-skåp nr. 739539	95



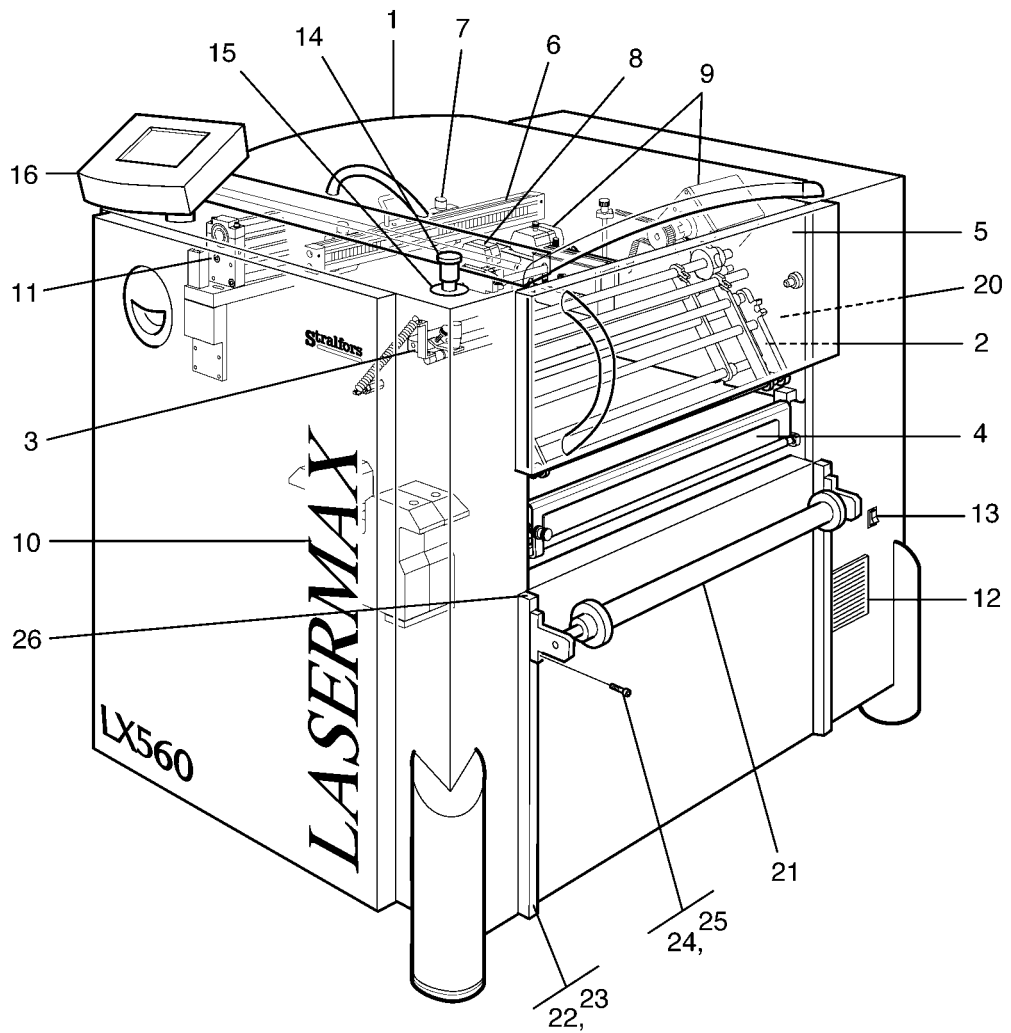
LX560/LX565 from XXXX

Assembly LX560/LX565

Sammanställning LX560/LX565

Illustration	Issue	Month	Year
Illustration	Utgåva	Månad	År
1927/3	2	1	2002

Item Pos.	Qua Ant.	Art.No Art.nr	Description	Benämning	Info Info	Notes Anmärkning
1	1		Cutter LX560 Pinfeed/Pinless	Cutter LX560 Pinfeed/Pinless		See illustr. 2224
2	1		Stacker LX565	Stacker LX565		See illustr. 2222



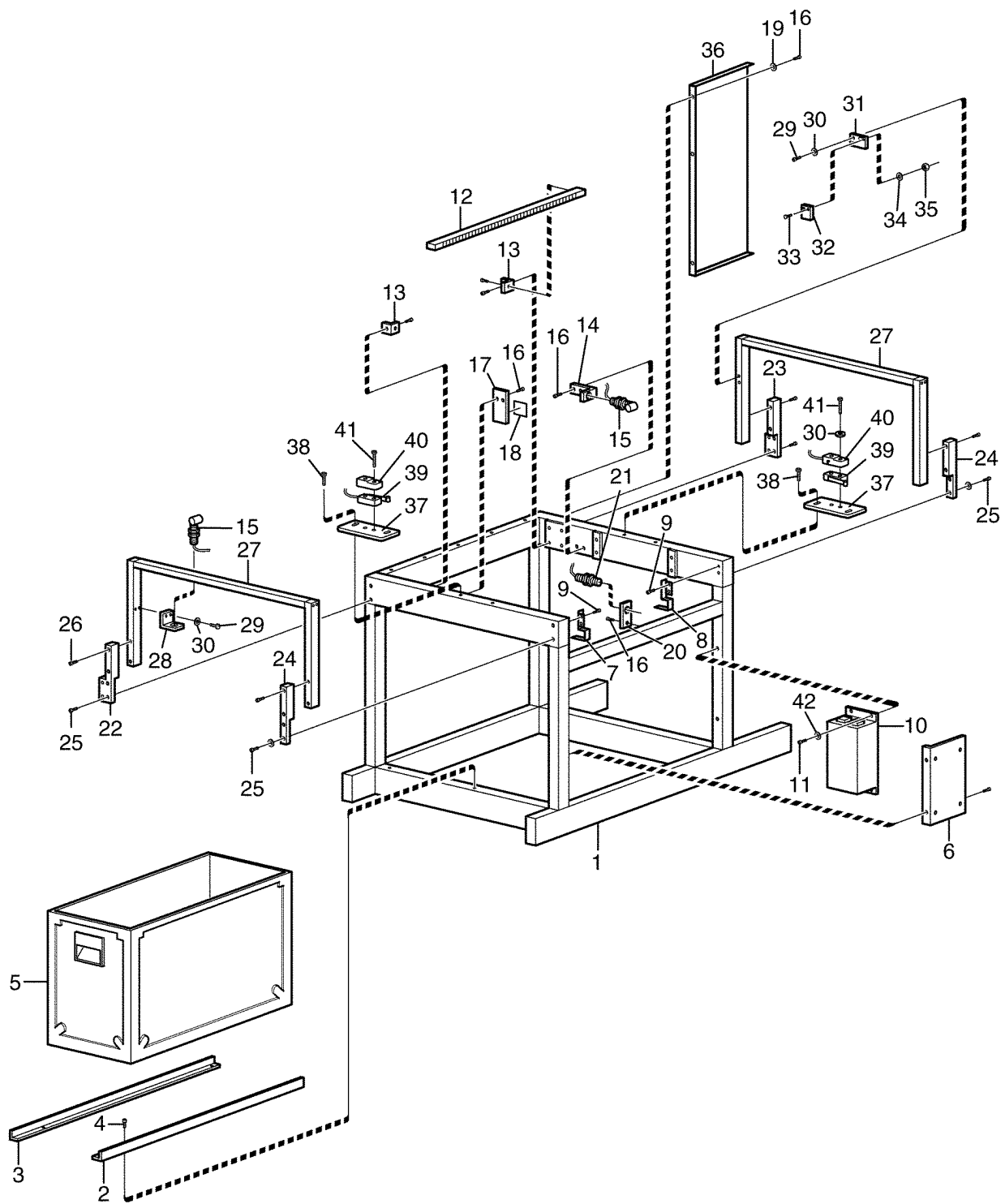
LX560/LX565

Assembly LX560

Sammanställning LX560

Illustration Issue Month Year
Illustration Utgåva Månad År
1925/4 3 1 2002

Item Pos.	Qua Ant.	Art.No Art.nr	Description	Benämning	Info Info	Notes Anmärkning
1			Covers and doors	Skydd och dörrar		See illustr. 1910
2			Infeed, guide plate	Inmatning, styrplåtar		See illustr. 1908
3			Upper wiper	Övre avstrykare		See illustr. 1901
4			Lower wiper	Nedre avstrykare		See illustr. 1902
5			Gables and distances	Gavlar och distanser		See illustr. 1904
6			Movable beam	Rörlig balk		See illustr. 1907
7			Pressure roller	Tryckrulle		See illustr. 1903
8			Middle knife unit	Mittskärsenhet		See illustr. 1906
9			Drive unit, middle cut, margining trim and pin feeding	Drivning, mittskär, kantskär och traktormatning		See illustr. 1905
10			Offset	Offset		See illustr. 1881
11			Cut. unit	Klippaggregat		See illustr. 1912
12			Filter fan	Filterfläkt		See illustr. 1910
13			Switch	Brytare		See illustr. 1910
14			Emergency stop button	Nödstopp		See illustr. 1910
15			Label emergency stop	Nödstoppskylt		See illustr. 1910
16			Display unit	Displayenhet		See illustr. 1993, 1910
17						Not used
18						Not used
19						Not used
20	1	739538	Electrical cabinet	Elskåp		See illustr. 1934
21	1	802867	Paper guide	Pappersstyrning		See illustr. 1936
22	2	802854	Beam	Balk		
23	4	705537	Screw	Skruv		
24	4	706357	Screw	Skruv		
25	4	707543	Slot nut	Spårmutter		
26	2	726579	End cap	Ändlock		



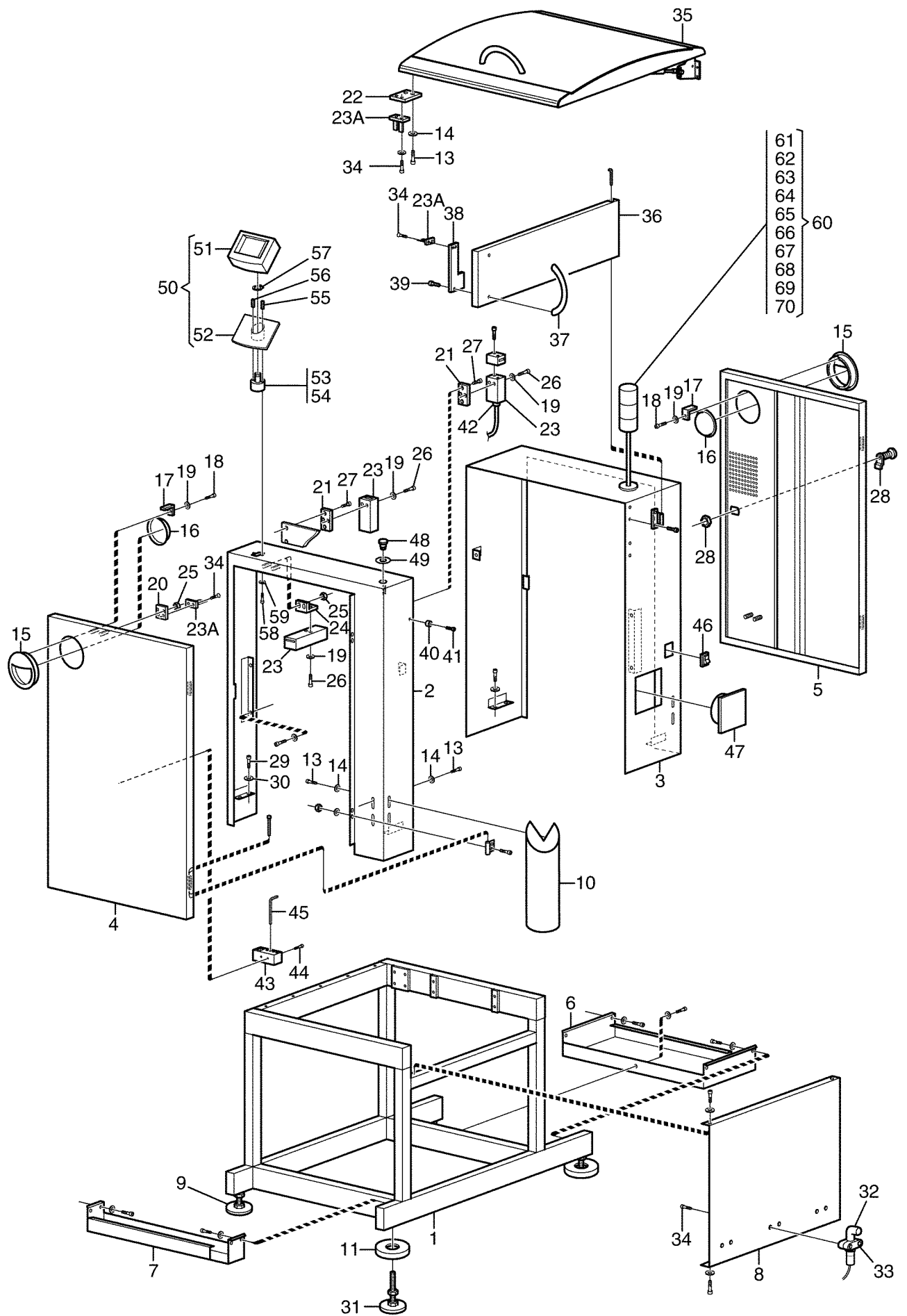
LX560/LX565

Stand

Stativ

Illustration Issue Month Year
Illustration Utgåva Månad År
1937/4 3 2 2002

Item Pos.	Qua Ant.	Art.No Art.nr	Description	Benämning	Info Info	Notes Anmärkning
1	1	802847	Stand	Stativ		
2	1	802368	Slide	Skena		
3	1	802369	Slide	Skena		
4	4	707829	Screw	Skruv		
5	1	727509	Waste box	Spillåda		Complete.
6	1	802718	Mounting plate	Fästplatta		
7	1	802868	Cover	Skydd		
8	1	802869	Cover	Skydd		
9	4	705500	Screw	Skruv		
10	1	708838	Antistatic unit	Antistatenhet		
11	2	706096	Screw	Skruv		
12	1	736162	Antistatic bar	Antistatstav		
13	2	802853	Attachment	Fäste		
14	1	703938	Attachment	Fäste		
15	2	706074	Photocell	Fotocell		
16	13	705984	Screw	Skruv		
17	1	802852	Attachment	Fäste		
18	1	802866	Reflecting tape	Reflextejp		
19	13	705021	Washer	Bricka		
20	1	727507	Photocell bracket	Fäste fotocell		
21	1	706075	Photocell	Fotocell		
22	1	802850	Attachment	Fäste		
23	1	802851	Attachment	Fäste		
24	2	802572	Attachment	Fäste		
25	16	705017	Screw	Skruv		
26	8	705630	Screw	Skruv		
27	2	802337	Frame	Ram		Complete.
28	1	802553	Sensor bracket	Givarfäste		
29	4	706532	Screw	Skruv		
30	8	705635	Washer	Bricka		
31	1	802554	Reflex holder	Reflexfäste		
32	1	737149	Reflector for photocell	Reflex, fotocell		
33	2	705434	Screw	Skruv		
34	2	705010	Washer	Bricka		
35	2	705009	Nut	Mutter		
36	1	802312	Mounting plate	Monteringsplåt		
37	2	802802	Switch bracket	Brytarfäste		
38	4	706266	Screw	Skruv		
39	2	705336	Micro switch	Mikrobrytare		
40	2	705610	Housing	Kåpa		
41	4	705638	Screw	Skruv		
42	2	705451	Washer	Bricka		



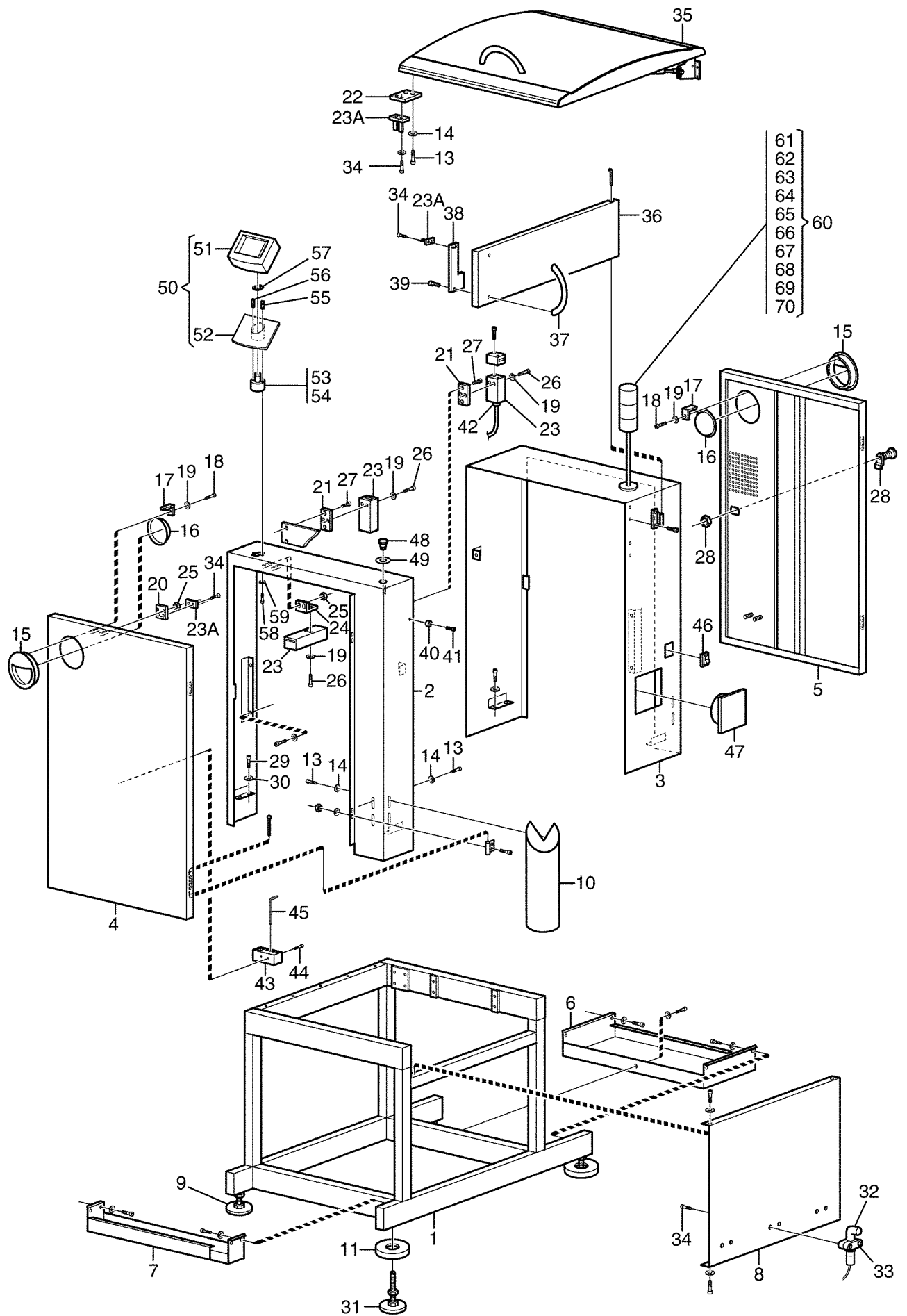
LX560/LX565

Covers and doors LX560

Skydd och dörrar LX560

Illustration Issue Month Year
Illustration Utgåva Månad År
1910/5 7 8 2012

Item Pos.	Qua Ant.	Art.No Art.nr	Description	Benämning	Info Info	Notes Anmärkning
1	1		Stand	Stativ		Complete. See illustr. 1937
2	1	802461	Cover	Svep		Complete.
3	1	802464	Cover	Svep		Complete.
4	1	802448	Door	Dörr		Complete.
5	1	802449	Door	Dörr		Complete.
6	1	805434	Bottom plate	Bottenplåt		
7	1	802435	Bottom plate	Bottenplåt		
8	1	802443	Cover	Skydd		
9	2	707577	Machine shoe	Maskinsko		
10	4	802746	Sleeve	Hylsa		Complete.
11	4	802747	Sleeve	Hylsa		
12						Not used
13	18	706357	Screw	Skruv		
14	18	705451	Washer	Bricka		
15	2	802767	Handle	Handtag		Outer
16	2	802768	Handle	Handtag		Inner
17	8	802751	Lock washer	Låsbricka		
18	8	745225	Screw	Skruv		
19	10	705635	Washer	Bricka		
20	1	802560	Flat rod iron	Plattstång		
21	2	802564	Attachment	Fäste		
22	1	802565	Attachment	Fäste		
23	3	726715	Safety switch	Säkerhetsbrytare		
23A	3	737814	Fork	Gaffel		
24	1	802499	Attachment	Fäste		
25	2	705634	Nut	Mutter		
26	6	708817	Screw	Skruv		
27	4	706026	Screw	Skruv		
28	1	732645	Door lock	Dörrlås		
29	19	706355	Screw	Skruv		
30	19	705021	Washer	Bricka		
31	2	737815	Machine shoe	Maskinsko		
32	1	706074	Photocell	Fotocell		
33	1	706483	Holder, photocell	Hållare, fotocell		
34	6	706567	Screw	Skruv		
35			Top cover	Topplucka		See illustr. 2022
36	1	802737	Door	Dörr		
37	1	802741	Handle	Handtag		
38	1	802771	Plate	Platta		
39	2	705020	Screw	Skruv		
40	1	745194	Magnet	Magnet		
41		705636	Screw	Skruv		
42	3	706726	Strain relief	Skintop		
43	1	732824	Bracket tool	Verktögsfäste		Replaced by 809258
	1	809258	Bracket tool	Verktögsfäste		Replaces 732824
44	2	706024	Screw	Skruv		
45	1	732801	Tool kit	Verktögskit		
46	1	708671	Main switch	Huvudströmbrytare		
47	1	726026	Filter fan	Filterfläkt		
48	1	737260	Emergency stop	Nödstopp		
49	1	705337	Label emergency stop	Nödstoppskylt Engelsk		
	1	708953	Label emergency stop	Nödstoppskylt Tyska		
	1	744825	Touchdisplay	Touchdisplay		Complete. Includes item 51-52
51	1	744824	•Touchdisplay	•Touchdisplay		Complete.
52	1	744820	•Rear panel	•Bakstycke		
53	1	744816	Foot, display	Displayfot		Upper
54	1	744821	Foot, display	Displayfot		Lower



LX560/LX565

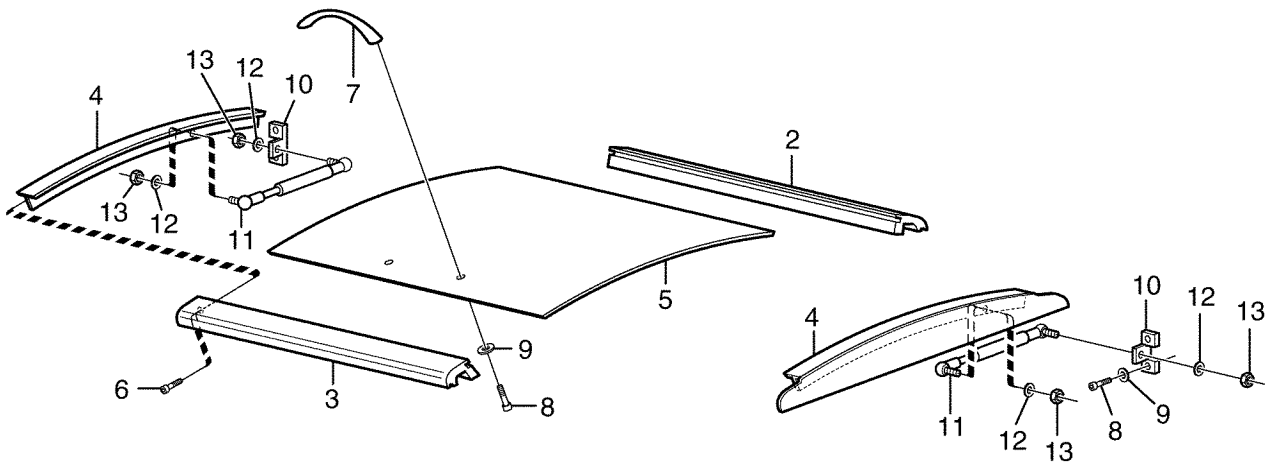
Covers and doors LX560

Skydd och dörrar LX560

Illustration Issue Month Year
Illustration Utgåva Månad År
1910/5 7 8 2012

Item Pos.	Qua Ant.	Art.No Art.nr	Description	Benämning	Info Info	Notes Anmärkning
55	1	706846	Stop screw	Stoppsskruv		
56	1	737529	Screw	Tryckskruv		
57	1	705494	C-clamp	Segersäkring		
58	2	705020	Screw	Skruv		
59	2	705021	Washer	Bricka		
60	1	739675	Stapel light kit	Stapelljus kit		Includes item 61-70
61	1	726243	•Tube bracket	•Rörfäste		
62	1	726244	•Pipe	•Rör		
63	1	726240	•Stapel light red element	•Stapelljus rött element		
64	1	745274	•Stapel light orange element	•Stapelljus orange element		
65	1	726241	•Stapel light green element	•Stapelljus grönt element		
66	3	726367	•Lamp	•Lampa		24V 5W
67	1	706697	•Cable inlet	•Kabelgenomföring		
68	2	706130	•Screw	•Skruv		
69	2	705559	•Nut	•Mutter		
70	2	705635	•Washer	•Bricka		

1



LX560/LX565

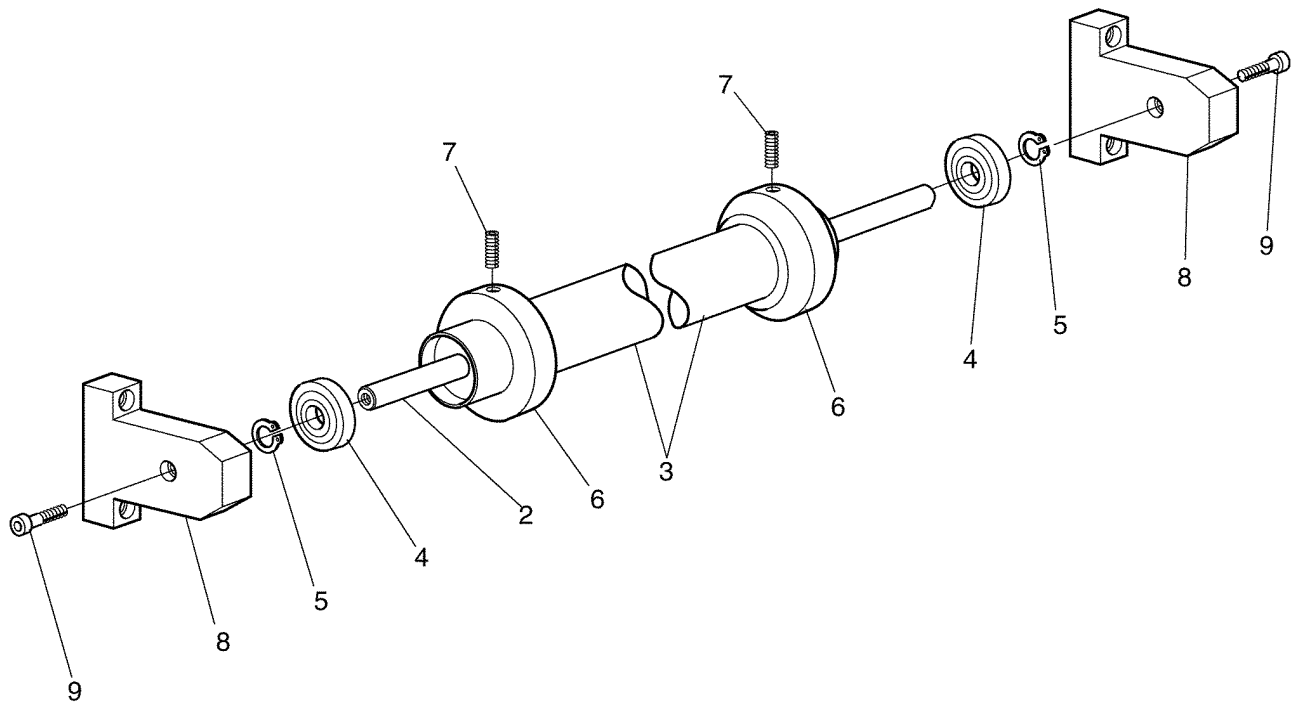
Top cover

Topplucka

Illustration Issue Month Year
Illustration Utgåva Månad År
2022/1 2 3 2002

Item Pos.	Qua Ant.	Art.No Art.nr	Description	Benämning	Info Info	Notes Anmärkning
1	1	802585	Top cover	Topplucka		Complete.
2	1	802583	•Beam	•Balk		
3	1	802586	•Beam	•Balk		
4	2	802587	•Support	•Stag		
5	1	802753	Lid	Lock		
6	4	706194	Screw	Skruv		
7	1	802741	Handle	Handtag		
8	6	706355	Screw	Skruv		
9	6	705021	Washer	Bricka		
10	2	802694	Attachment	Fäste		
11	2	708899	Gas spring	Gasfjäder		
12	4	705015	Washer	Bricka		
13	4	705450	Nut	Mutter		

1



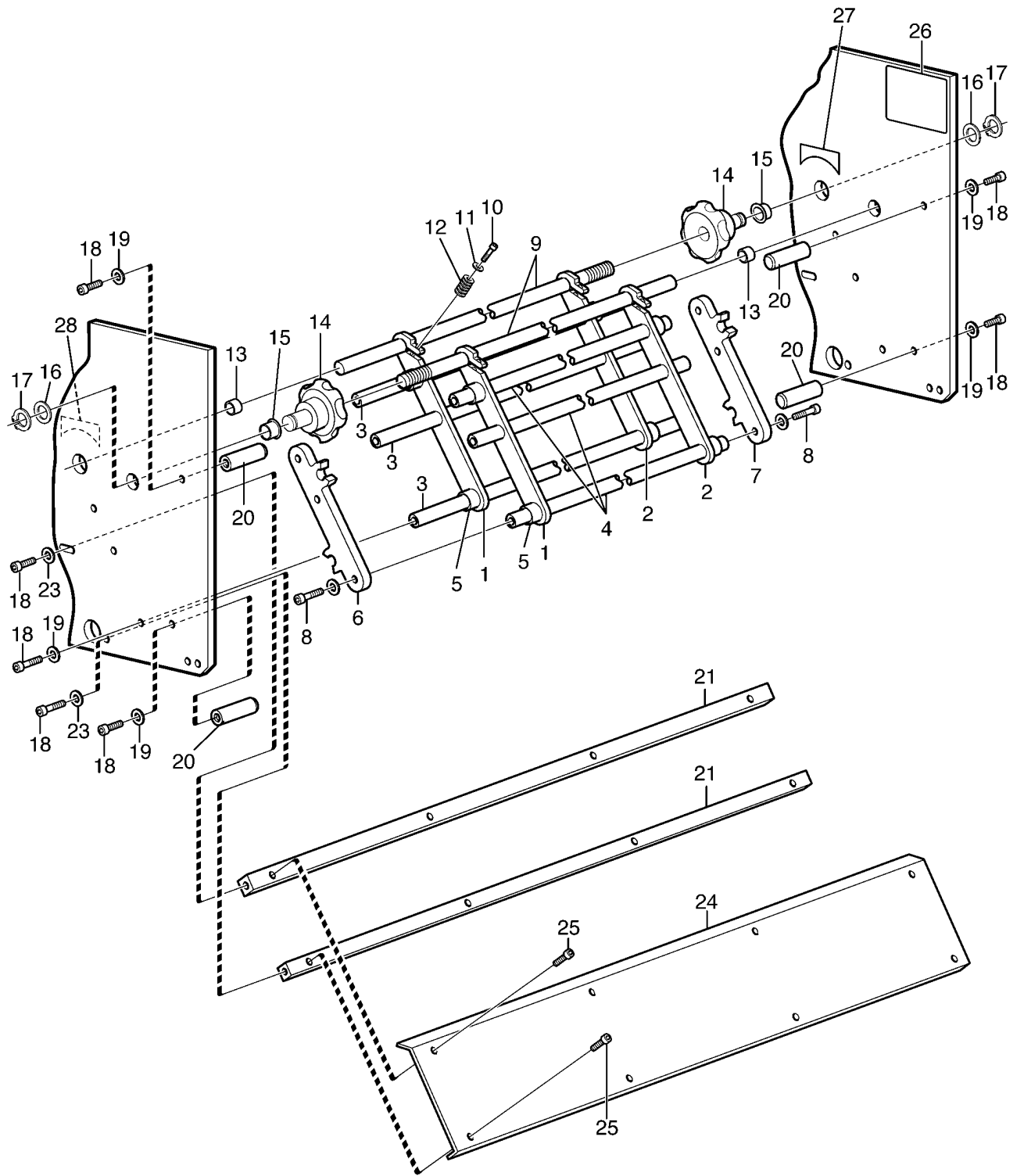
LX560/LX565

Paper guide

Pappersstyrning

Illustration Issue Month Year
Illustration Utgåva Månad År
1936/1 3 10 2004

Item Pos.	Qua Ant.	Art.No Art.nr	Description	Benämning	Info Info	Notes Anmärkning
1	1	802867	Paper guide	Pappersstyrning		Includes items 2-7
2	1	802367	•Shaft	•Axel		
3	1	724395	•Cylinder	•Cylinder		
4	2	745362	•Ball bearing	•Spårkullager		
5	2	705951	•C-clamp	•Segersäkring		
6	2	739211	•Paper guide	•Pappersstyrning		
7	4	737309	•Screw	•Fjädrande tryckskruv		
8	2	802908	Attachment	Fäste		
9	2	705946	Screw	Skruv		



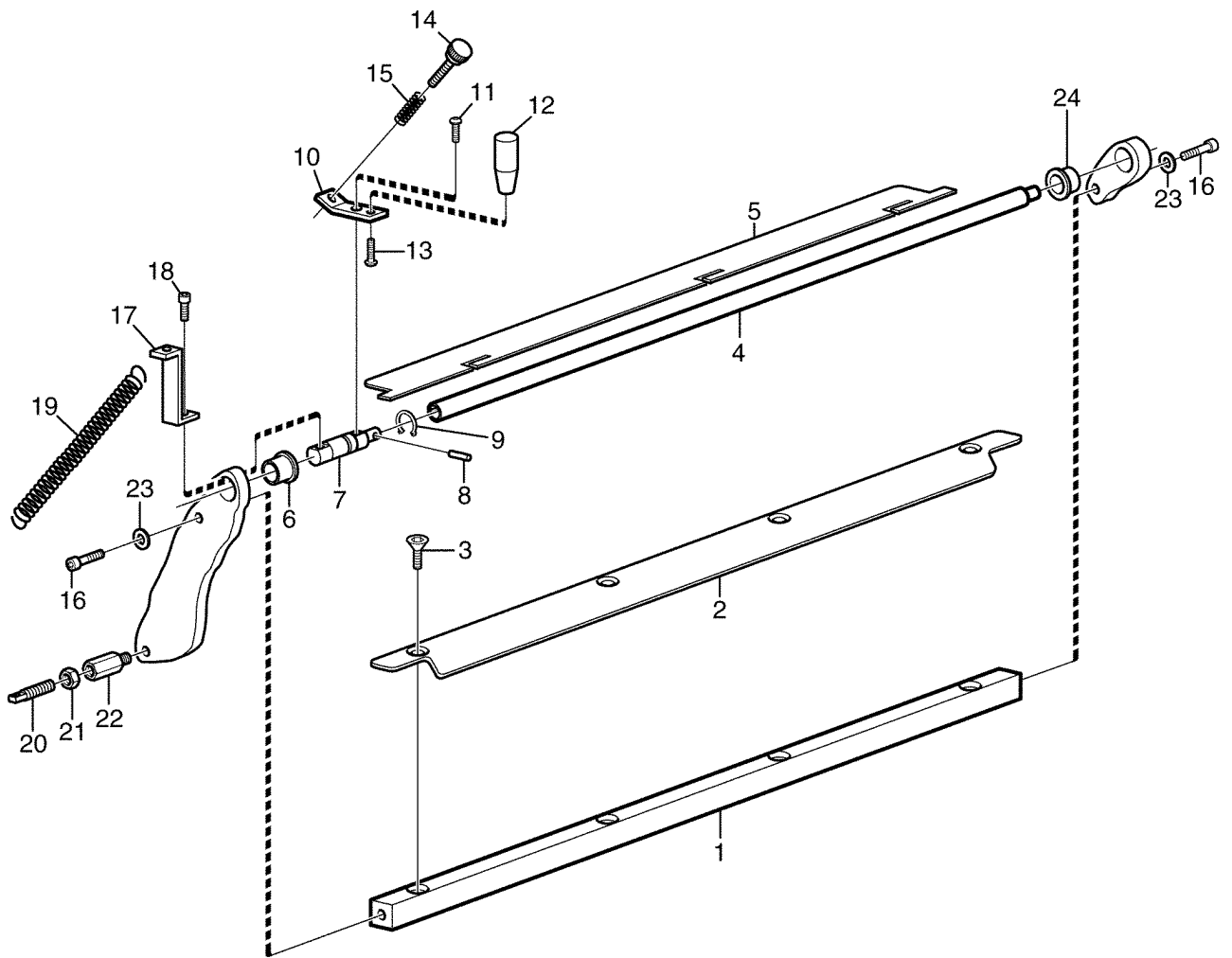
LX560/LX565

Infeed, guide plate

Inmatning, styrplåtar

Illustration Issue Month Year
Illustration Utgåva Månad År
1908/3 4 8 2005

Item Pos.	Qua Ant.	Art.No Art.nr	Description	Benämning	Info Info	Notes Anmärkning
1	2	802808	Paper guide	Pappersstyrning		
2	2	802810	Paper guide	Pappersstyrning		
3	3	802022	Shaft	Axel		
4	3	727563	Shaft	Axel		
5	8	737386	Bearing	Glidlager		
6	1	802805	Shaft support	Axelstöd		
7	1	802806	Shaft support	Axelstöd		
8	6	706357	Screw	Skruv		
9	2	802021	Shaft	Axel		
10	4	706194	Screw	Skruv		
11	4	705635	Washer	Bricka		
12	24	737182	Spring washer	Tallriksfjäder		
13	2	737383	Bearing	Glidlager		
14	2	727699	Hand knob	Inställningsratt		Complete.
15	2	737373	Bearing	Glidlager		
16	2	708195	Washer	Bricka		
17	2	705455	C-clamp	Segersäkring		
18	14	706024	Screw	Skruv		
19	10	705451	Washer	Bricka		
20	4	802804	Stop	Stopp		
21	2	802843	Spacer	Distans		
22						Not used
23	4	705021	Washer	Bricka		
24	1	802811	Guiding plate	Styrplåt		Up to 03LX560005
	1	802989	Guiding plate	Styrplåt		From 03LX560006
25	8	706286	Screw	Skruv		
26	1	802864	Lable	Etikett		
27	1	704617	Sign	Skylt		Guide adj. R-L
28	1	704618	Sign	Skylt		Guide adj. L-R



LX560/LX565

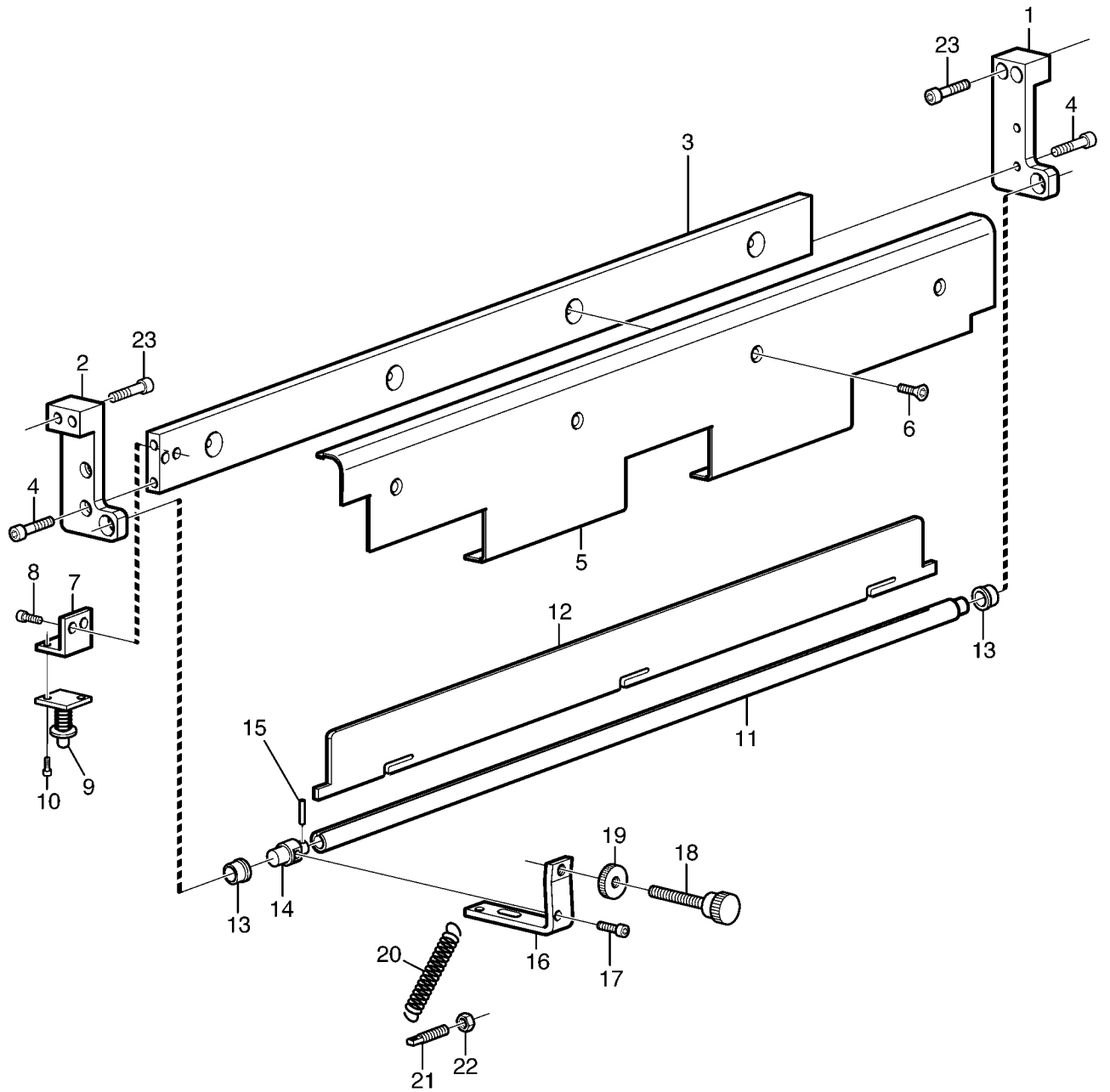
Upper wiper

Övre avstrykare

Illustration Issue Month Year
 Illustration Utgåva Månad År
1901/2 4 3 2005

Item Pos.	Qua Ant.	Art.No Art.nr	Description	Benämning	Info Info	Notes Anmärkning
1	1	802031	Spacer	Distans		Up to 03LX560005
2	1	802030	Guiding plate	Styrplåt		
3	4	706017	Screw	Skruv		
4	1	802024	Tube bracket	Rörfäste		
5	1	802025	Plastic rail	Plastskena		
6	1	737371	Bearing	Glidlager		
7	1	802096	Shaft	Axel		
8	1	737605	Spring pin	Fjädrande rörpinne		
9	1	705951	C-clamp	Segersåkring		
10	1	802097	Attachment	Fäste		
11	1	706266	Screw	Skruv		
12	1	737148	Knob	Ratt		
13	1	705453	Screw	Skruv		
14	1	736176	Hand knob	Inställningsratt		
15	1	707265	Pressure spring	Tryckfjäder		
16	2	705453	Screw	Skruv		
17	1	802098	Spring bracket	Fjäderfäste		
18	1	706266	Screw	Skruv		
19	1	737883	Tension spring	Dragfjäder		
20	1	726869	Spring bracket	Fjäderfäste		
21	1	705564	Nut	Mutter		
22	1	707442	Spacer screw	Distansskruv		
23	2	705021	Washer	Bricka		
24	1	737370	Bearing	Glidlager		

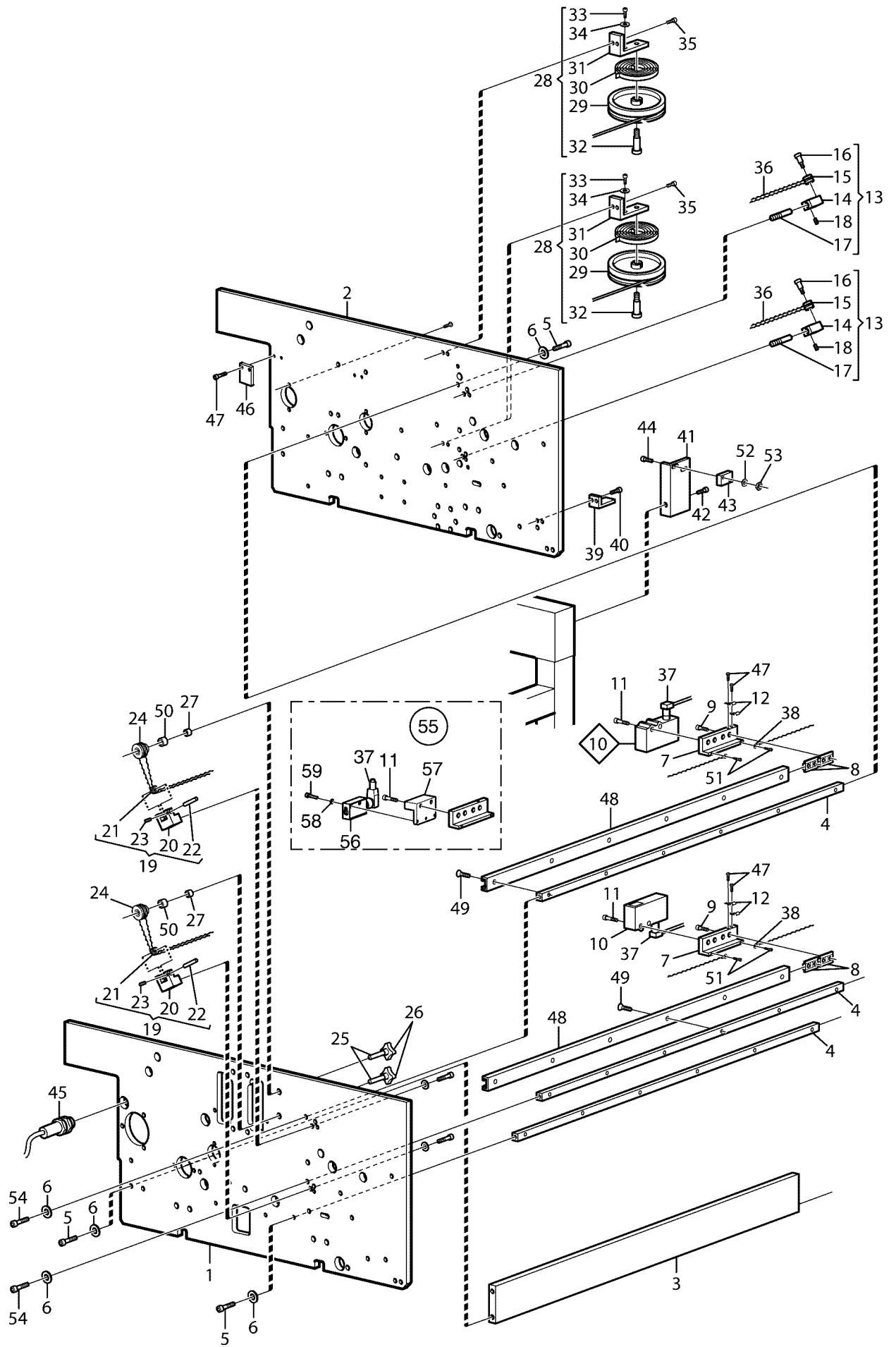
Complete.



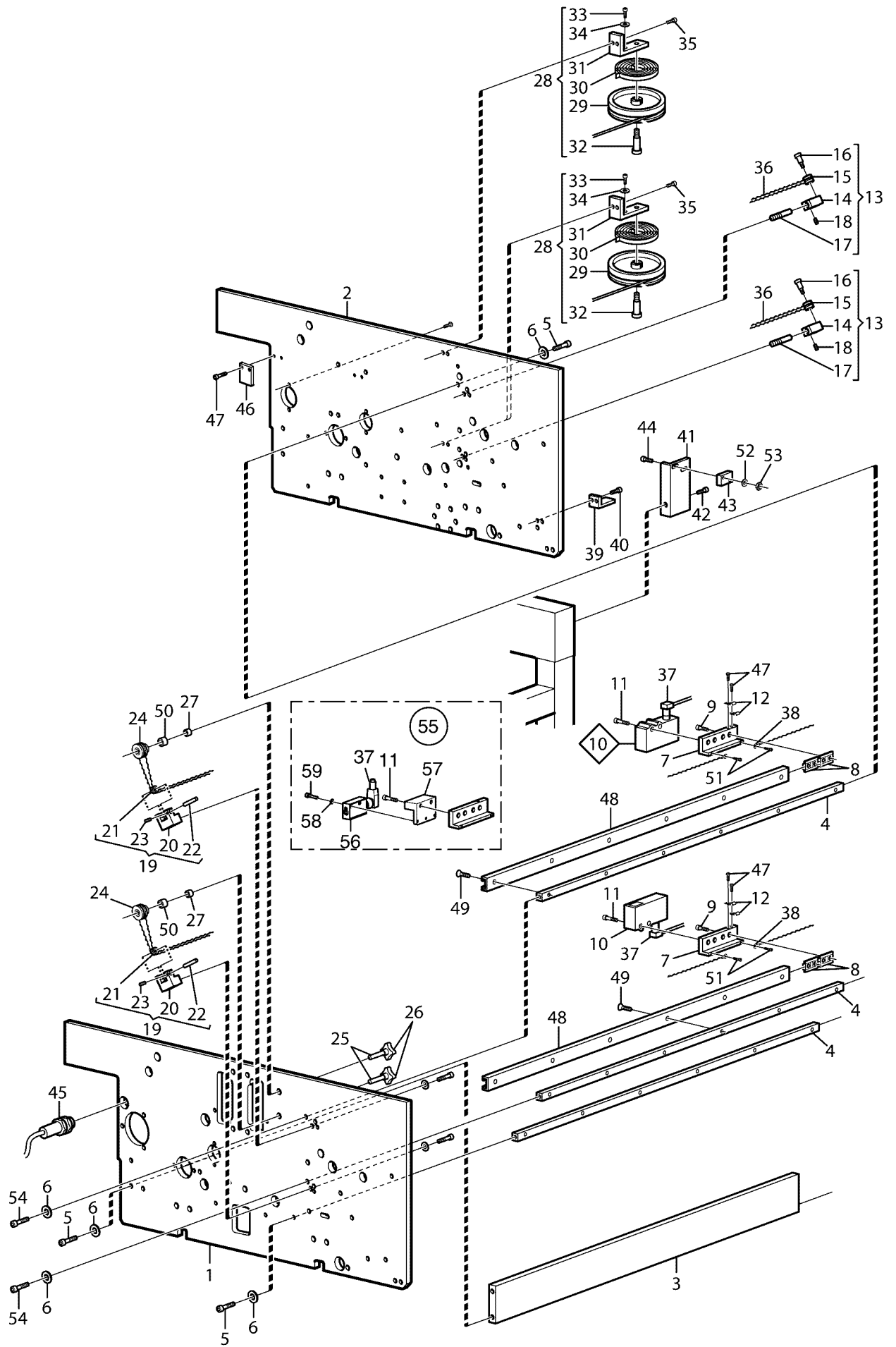
LX560/LX565**Lower wiper****Nedre avstrykare**

Illustration Issue Month Year
 Illustration Utgåva Månad År
1902/2 1 2 2001

Item Pos.	Qua Ant.	Art.No Art.nr	Description	Benämning	Info Info	Notes Anmärkning
1	1	802813	Gable	Gavel		Right.
2	1	802814	Gable	Gavel		Left.
3	1	802342	Spacer	Distans		
4	4	705946	Screw	Skruv		
5	1	802815	Guiding plate	Styrplåt		
6	4	706017	Screw	Skruv		
7	1	802344	Attachment	Fäste		
8	2	705452	Screw	Skruv		
9	1	726811	Lock	Lås		
10	2	705439	Screw	Skruv		
11	1	802314	Tube bracket	Rörfäste		
12	1	802315	Plastic rail	Plastskena		
13	2	737370	Bearing	Glidlager		
14	1	802346	Shaft	Axel		
15	1	737605	Spring pin	Fjädrande rörpinne		
16	1	802345	Attachment	Fäste		
17	1	706266	Screw	Skruv		
18	1	737873	Knob	Knopp		
19	1	737559	Lock nut	Låsmutter		
20	1	737883	Tension spring	Dragfjäder		
21	1	726869	Spring bracket	Fjäderfäste		
22	1	705564	Nut	Mutter		
23	4	705467	Screw	Skruv		



LX560/LX565					Illustration	Issue	Month	Year
Gables and distances					Illustration	Utgåva	Månad	År
Gavlar och distanser					1904/4	4	10	2013
Item Pos.	Qua Ant.	Art.No Art.nr	Description	Benämning	Info Info	Notes Anmärkning		
1	1	802028	Gable	Gavel		Left.		
2	1	802023	Gable	Gavel		Right.		
3	1	802038	Spacer	Distans				
4	3	802843	Spacer	Distans				
5	8	706024	Screw	Skruv				
6	10	705451	Washer	Bricka				
7	2	802844	Attachment	Fäste				
8	4	737946	Carriage	Vagn				
9	8	707611	Screw	Skruv				
* 10	2	737857	OMR-reader	OMR-läsare		Deleted		
11	4	705638	Screw	Skruv				
12	4	737948	Clips	Klammer				
13	2	802839	Roller bracket	Rullhållare		Complete. Includes item 14-18		
14	2	802053	•Bracket	•Hållare				
15	2	802054	•Roller	•Rulle				
16	2	726936	•Fitting bolt	•Passbult				
17	2	708156	•Cylindrical pin	•Cylindrisk pinne				
18	2	706632	•Stop screw	•Stopskruv				
19	2	802838	Roller bracket	Rullhållare		Complete.		
20	2	802047	•Attachment	•Fäste				
21	4	802048	•Roller	•Rulle				
22	2	737797	•Cylindrical pin	•Cylindrisk pinne				
23	2	705649	•Screw	•Skruv				
24	2	737894	Cable wheel	Kabelhjul		Complete with stop screw		
25	2	737972	Cylindrical pin	Cylindrisk pinne				
26	2	737893	Knob	Korsvred				
27	2	737422	Bearing	Glidlager				
28	2	802840	Swivel	Svirvel		Complete. Includes item 29-34		
29	2	802801	•Swivel	•Svirvel				
30	2	737876	•Drag spring	•Drivfjäder				
31	2	802360	•Attachment	•Fäste				
32	2	737875	•Screw	•Passskruv				
33	2	705636	•Screw	•Skruv				
34	2	705635	•Washer	•Bricka				
35	4	706266	Screw	Skruv				
36	2	737896	Cable	Kabel				
* 37	2	737955	•Cable	•Kabel				
38	4	737947	Terminal	Kabelsko				
39	1	802803	Angular element	Vinkel				
40	2	706266	Screw	Skruv				
41	1	802816	Attachment	Fäste				
42	2	706266	Screw	Skruv				
43	1	706003	Proximity switch	Induktiv givare				
44	2	706022	Screw	Skruv				
45	1	706035	Photocell	Fotocell				
46	1	737149	Reflector for photocell	Reflex, fotocell				
47	6	737067	Screw	Skruv				
48	2	802855	Slide	Skena				
49	13	705557	Screw	Skruv				
50	2	745011	Spacer	Distans				
51	4	706286	Screw	Skruv				
52	2	705635	Washer	Bricka				
53	2	705559	Nut	Mutter				
54	2	706134	Screw	Skruv				
* 55	2	811167	Sensor	Sensor		Complete. Includes item 37, 56-59. Replaces item 737857		
* 56	2	753676	•Sensor	•Sensor				
* 57	2	811165	•Sensor bracket	•Givarfäste				
* 58	4	705010	•Washer	•Bricka				



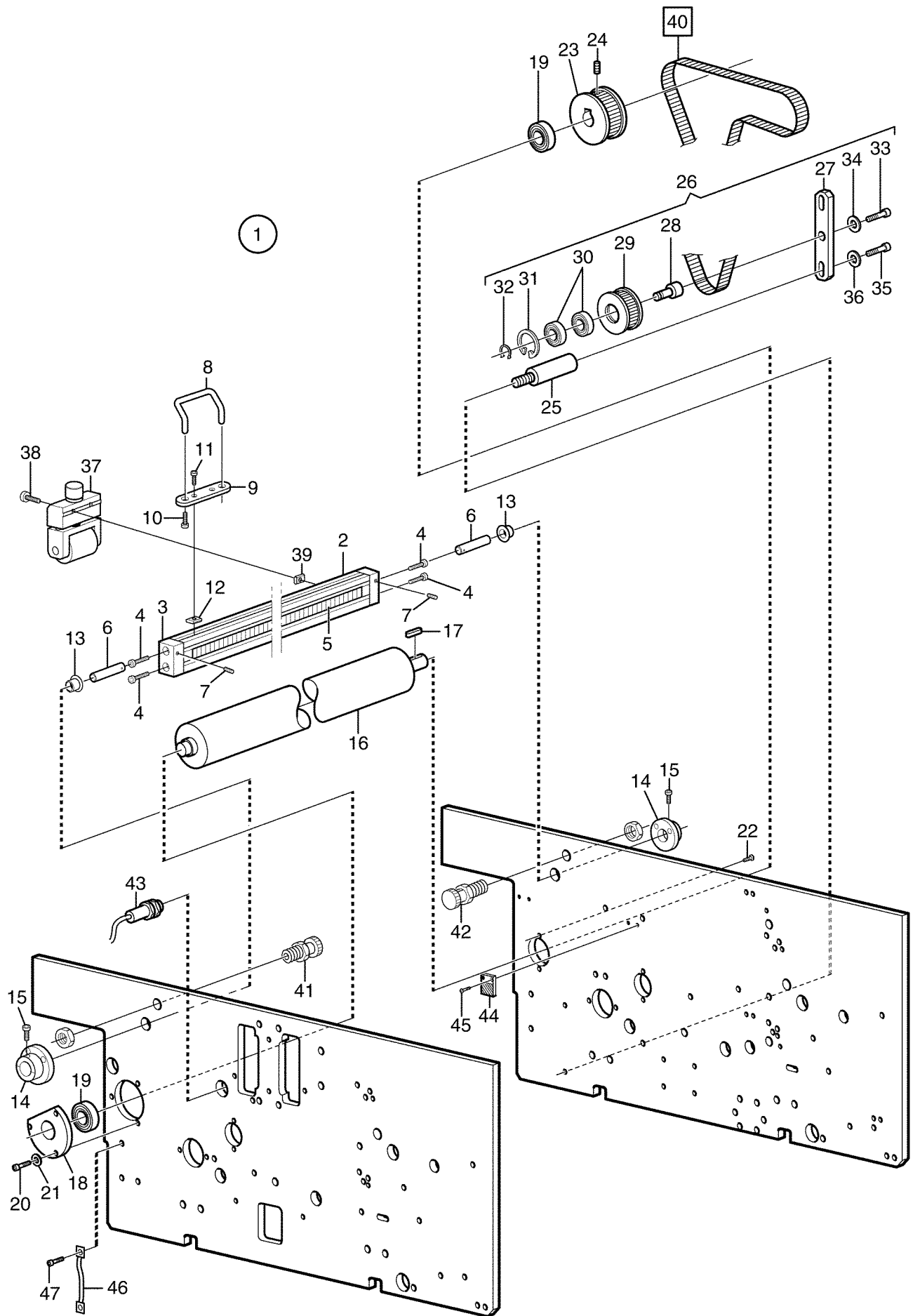
LX560/LX565

Gables and distances

Gavlar och distanser

Illustration	Issue	Month	Year
Illustration	Utgåva	Månad	År
1904/4	4	10	2013

Item Pos.	Qua Ant.	Art.No Art.nr	Description	Benämning	Info Info	Notes Anmärkning
* 59	4	706213	*Screw	*Skruv		



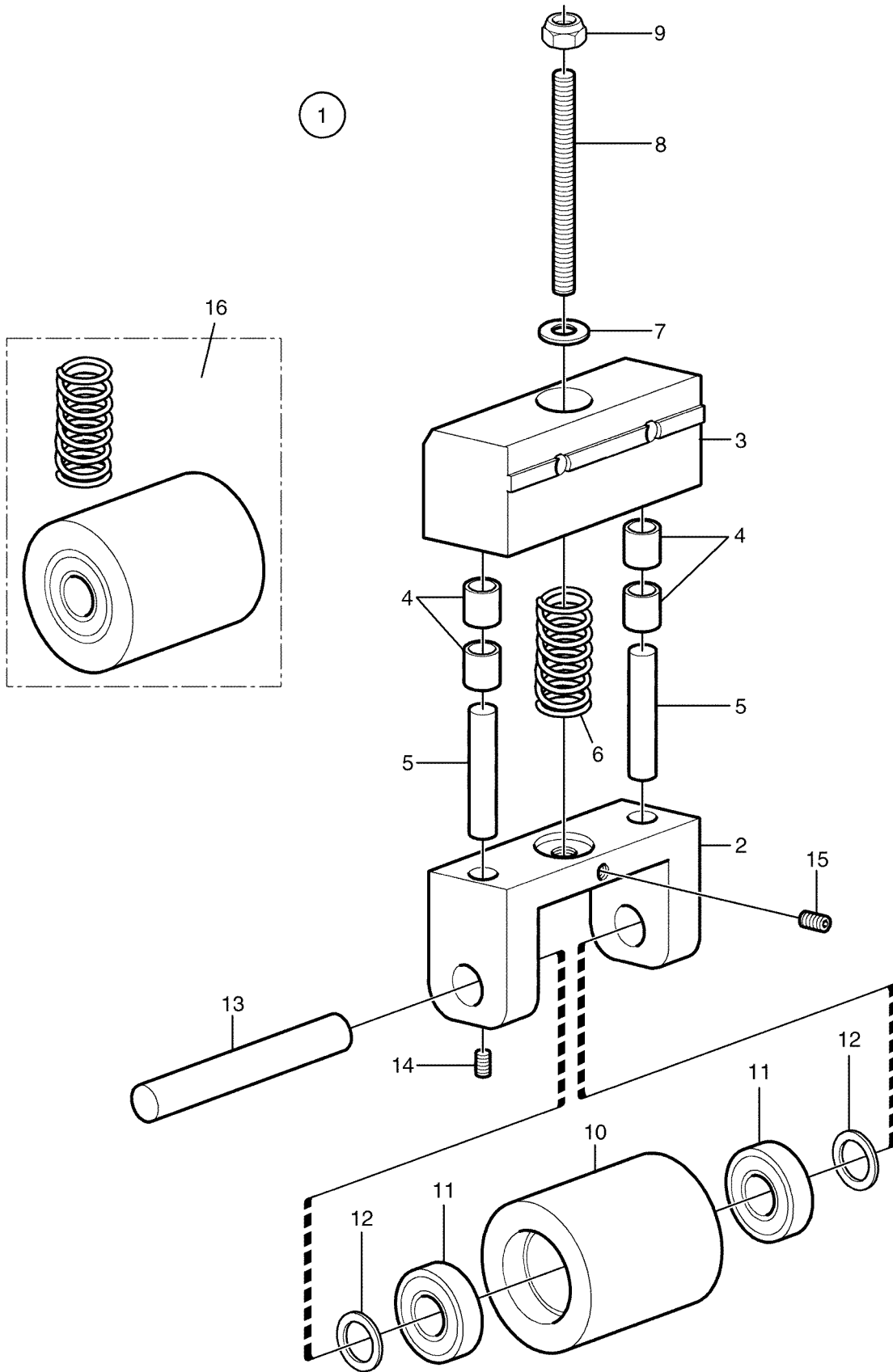
LX560/LX565

Movable beam

Rörlig balk

Illustration Issue Month Year
Illustration Utgåva Månad År
1907/2 3 5 2002

Item Pos.	Qua Ant.	Art.No Art.nr	Description	Benämning	Info Info	Notes Anmärkning
1	1	802832	Movable beam	Rörlig balk		Complete. Includes items 2-12
2	1	802041	•Beam	•Balk		
3	2	727110	•Attachment	•Fäste		
4	4	705453	•Screw	•Skruv		
5	1	736065	•Scale	•Skala		
6	2	727111	•Shaft	•Axel		
7	2	706133	•Spring pin	•Fjädrande rörpinne		
8	1	708242	•Handle	•Handtag		
9	1	727425	•Plate	•Plåt		
10	2	706015	•Screw	•Skruv		
11	2	706887	•Screw	•Skruv		
12	2	707543	•Slot nut	•Spårmutter		
13	2	737371	Bearing	Glidlager		
14	2	727113	Stop wheel	Stopp hjul		
15	2	705946	Screw	Skruv		
16	1	802020	Drive shaft	Drivaxel		
17	1	706240	Key	Kil		
18	1	727299	Bearing housing	Lagerhus		
19	2	705201	Ball bearing	Spårkullager		
20	3	705020	Screw	Skruv		
21	3	705021	Washer	Bricka		
22	2	706266	Screw	Skruv		
23	1	735180	Pulley	Kuggremshjul		
24	1	706614	Screw	Skruv		
25	2	726745	Spacer screw	Distansskruv		
26	1	802835	Belt stretcher	Remspännare	Complete. Includes item 27-34	
27	1	736063	•Attachment	•Fäste		
28	1	727316	•Shaft	•Axel		
29	1	735382	•Pulley	•Kuggremshjul		
30	2	705211	•Ball bearing	•Spårkullager		
31	1	705952	•C-clamp	•Segersäkkring		
32	1	705561	•C-clamp	•Segersäkkring		
33	1	705453	•Screw	•Skruv		
34	1	705021	•Washer	•Bricka		
35	2	705453	Screw	Skruv		
36	2	705021	Washer	Bricka		
37	2	805289	Pressure roller, complete	Tryckrulle, komplett	See illustr. 2048	
38	4	705945	Screw	Skruv		
39	4	707543	Slot nut	Spårmutter	See illustr. 1905	
40	1		Cog belt	Kuggrem		
41	1	726209	Setting bolt	Inställningsbult		
42	1	726756	Setting bolt	Inställningsbult		
43	1	706035	Photocell	Fotocell		
44	1	737149	Reflector for photocell	Reflex, fotocell		
45	2	737067	Screw	Skruv		
46	1	726798	Earth cable	Jordkabel		
47	1	705440	Screw	Skruv		



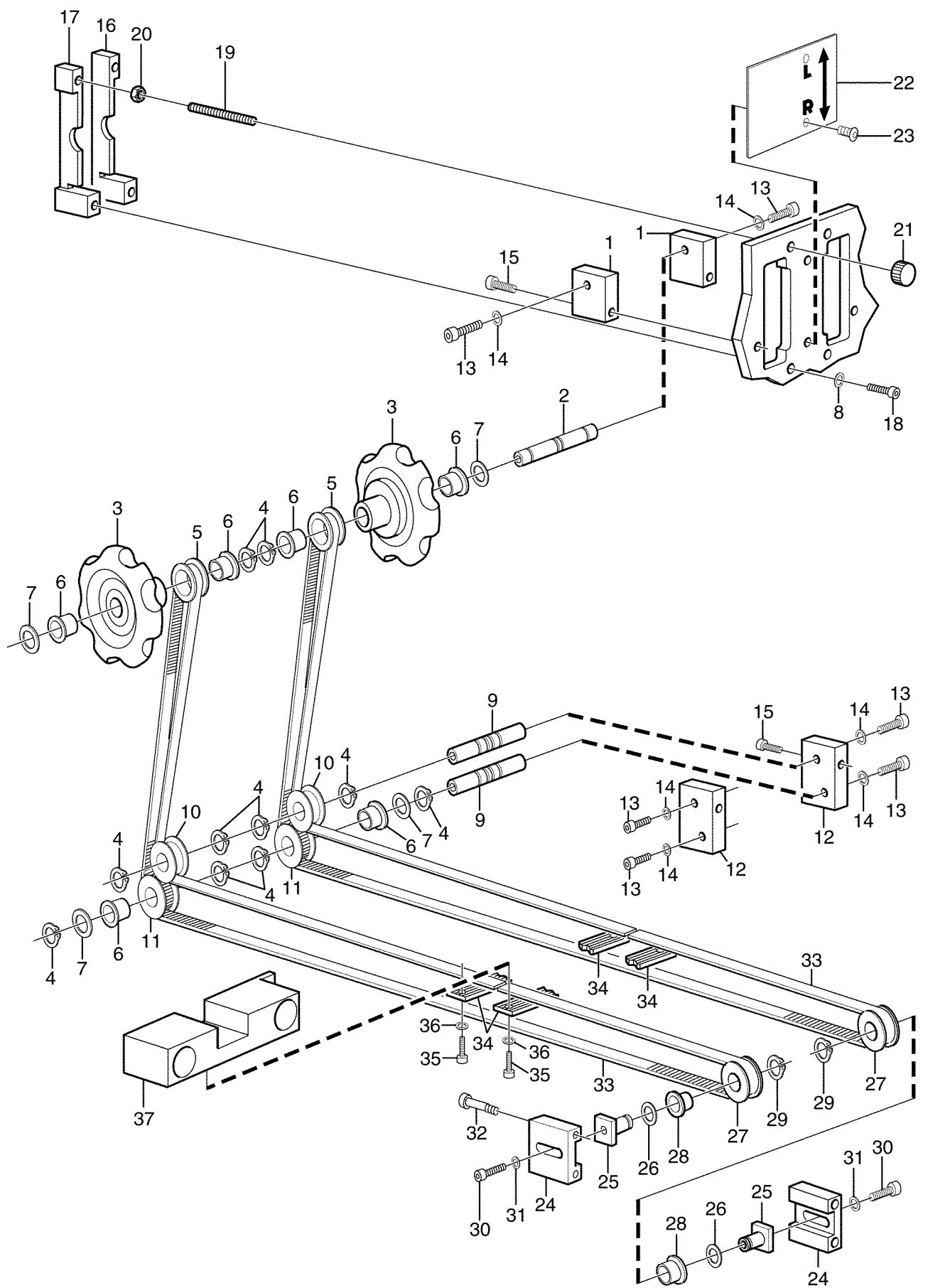
LX560/LX565

Pressure roller, complete

Tryckrulle, komplett

Illustration Issue Month Year
Illustration Utgåva Månad År
2048/3 3 3 2006

Item Pos.	Qua Ant.	Art.No Art.nr	Description	Benämning	Info Info	Notes Anmärkning
1	1	805289	Pressure roller, complete	Tryckrulle, komplett		
2	1	805286	•Lower part	•Underdel		
3	1	805288	•Upper part	•Överdel		
4	4	737378	•Bearing	•Glidlager		
5	2	802827	•Shaft	•Axel		
6	1	737184	•Spring washer	•Tallriksfjäder		
7	1	737069	•Washer	•Bricka		
8	1	737887	•Pin screw	•Pinnskruv		
9	1	708609	•Nut	•Mutter		Replaced by 753288
	1	753288	Nut	Mutter		Replaces 708609
10	1	805285	•Rubber wheel	•Gummihjul		
11	2	705211	•Ball bearing	•Spårkullager		
12	2	726720	•Washer	•Bricka		
13	1	805287	•Shaft	•Axel		
14	1	705539	•Stop screw	•Stoppskruv		
15	1	706614	•Screw	•Skruv		
16	1	749532	Rubber wheel complete, incl. pressure spring	Gummihjul komplett, inkl tryckfjäder		Includes item 6,10,11



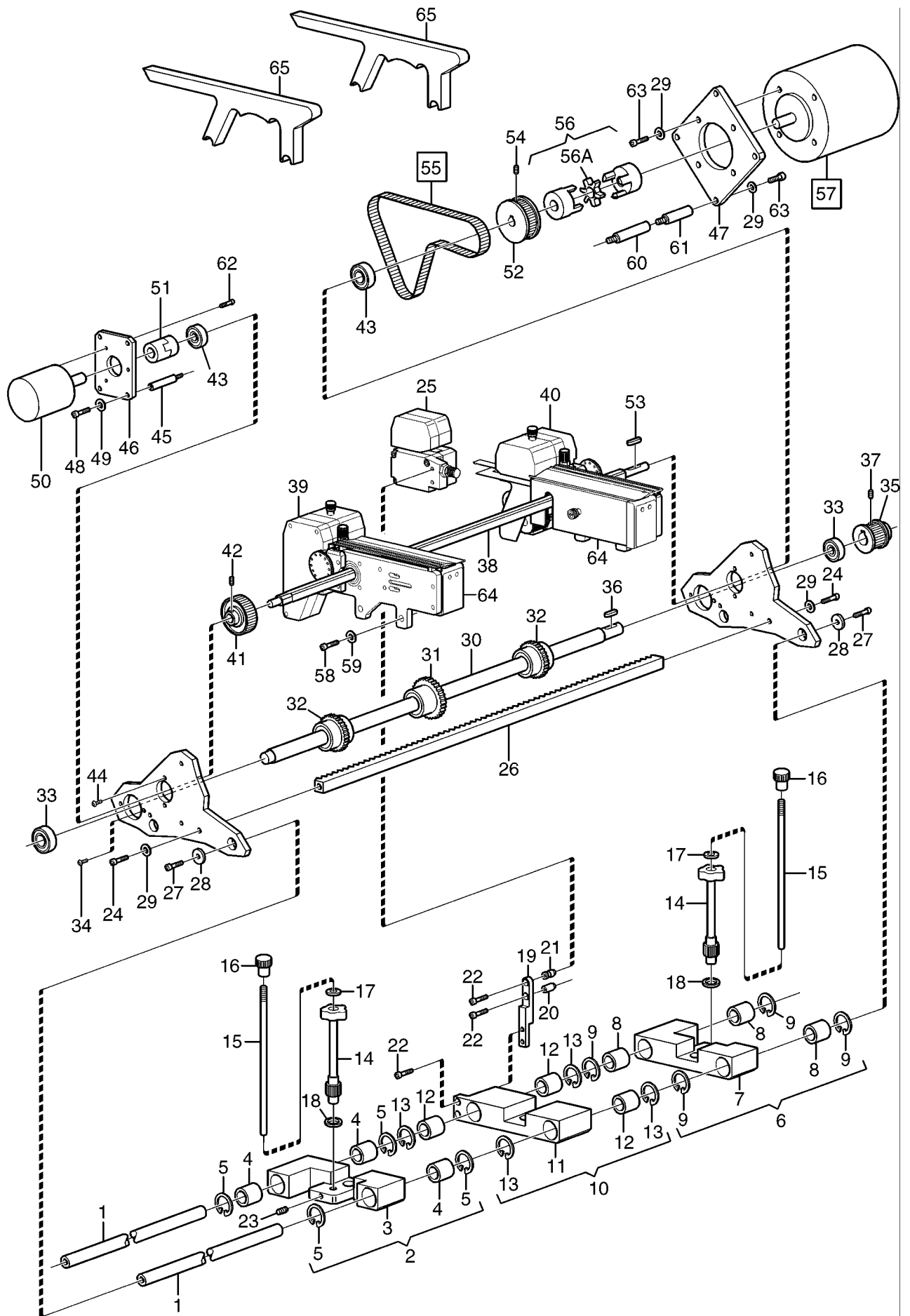
LX560/LX565

Middle knife unit

Mittskärsenhet

Illustration Issue Month Year
Illustration Utgåva Månad År
1906/1 2 8 2005

Item Pos.	Qua Ant.	Art.No Art.nr	Description	Benämning	Info Info	Notes Anmärkning
1	2	802807	Attachment	Fäste		
2	1	802842	Shaft	Axel		
3	2	727540	Knob	Ratt		
4	12	705951	C-clamp	Segersäkring		
5	2	727541	Pulley	Kuggremshjul		
6	6	737372	Bearing	Glidlager		
7	4	726743	Washer	Bricka		
8	2	705021	Washer	Bricka		
9	2	727533	Shaft	Axel		
10	2	727543	Wheel	Hjul		
11	2	727542	Pulley	Kuggremshjul		
12	2	802809	Attachment	Fäste		
13	6	706024	Screw	Skruv		
14	6	705451	Washer	Bricka		
15	4	705537	Screw	Skruv		
16	1	802375	Belt bracket	Klämplatta		
17	1	802376	Belt bracket	Klämplatta		
18	2	705453	Screw	Skruv		
19	2	737831	Pin screw	Pinnskruv		
20	2	705634	Nut	Mutter		
21	2	737234	Knob	Ratt		
22	1	802861	Sign	Skylt		One middle cut
	1	802845	Sign	Skylt		Two middle cut
23	2	706266	Screw	Skruv		
24	2	727534	Adjustment plate	Justerplåt		
25	2	727539	Shaft	Axel		
26	2	726743	Washer	Bricka		
27	2	727542	Pulley	Kuggremshjul		
28	2	737372	Bearing	Glidlager		
29	2	705951	C-clamp	Segersäkring		
30	2	705946	Screw	Skruv		
31	2	705451	Washer	Bricka		
32	4	706024	Screw	Skruv		
33	2	737971	Cog belt	Kuggrem		L=1780
34	4	802040	Belt bracket	Klämplatta		
35	8	705636	Screw	Skruv		
36	8	705635	Washer	Bricka		
37			Guideblock	Styrblock		See illustr. 2102



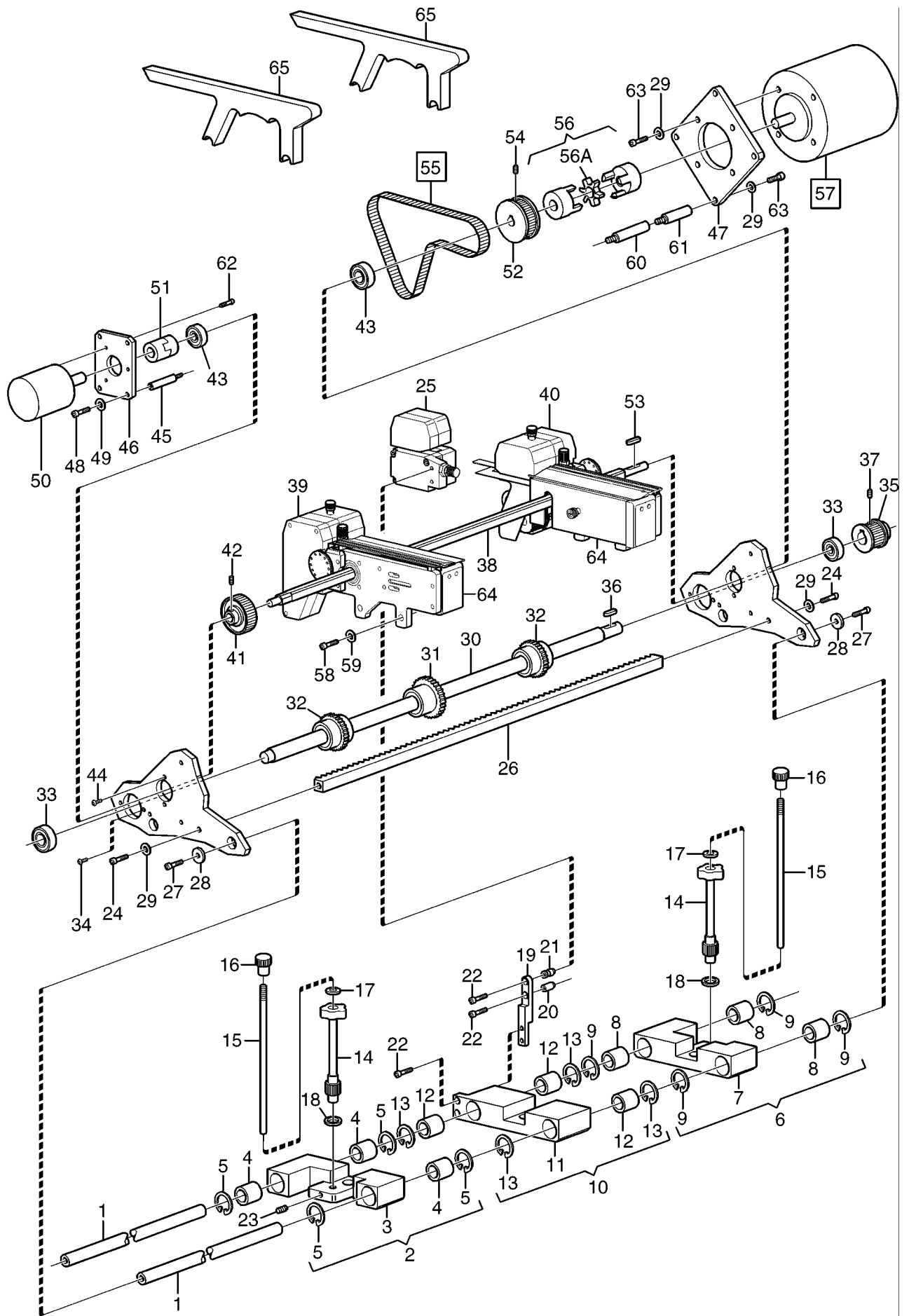
LX560/LX565

Drive unit, middle cut, marging trim and pin feeding

Drivning, mittskär, kantskär och traktormatning

Illustration Issue Month Year
Illustration Utgåva Månad År
1905/2 3 3 2007

Item Pos.	Qua Ant.	Art.No Art.nr	Description	Benämning	Info Info	Notes Anmärkning
1	2	801265	Shaft	Axel		
2	1	744396	Guideblock	Styrblock		Complete, left. Includes item 3-5
3	1	802034	•Guideblock	•Styrblock		
4	3	737877	•Bushing	•Kulbussning		
5	4	705952	•C-clamp	•Segersäkkring		
6	1	744395	Guideblock	Styrblock		Complete, right. Includes item 7-9
7	1	802033	•Guideblock	•Styrblock		
8	3	737877	•Bushing	•Kulbussning		
9	4	705952	•C-clamp	•Segersäkkring		
10	2	744397	Guideblock	Styrblock		Complete, middle. Includes item 11-13
11	2	802035	•Guideblock	•Styrblock		
12	6	737878	•Bushing	•Kulbussning		
13	8	708191	•C-clamp	•Segersäkkring		
14	2	801348	Knob	Vred		Complete. Includes items 15-17
15	2	801270	•Shaft	•Axel		
16	2	737144	•Knob	•Ratt		
17	2	737184	•Spring washer	•Tallriksfjäder		
18	2	737069	Washer	Bricka		
19	2	802042	Attachment	Fäste		
20	2	801125	Shaft	Axel		
21	2	801321	Shaft	Axel		
22	5	705440	Screw	Skruv		
23	2	708057	Screw	Skruv		
24	2	705453	Screw	Skruv		
25	1		Middle knife	Mittskär		See illustr. 1862
26	1	801263	Cog rail	Kuggstång		
27	4	705017	Screw	Skruv		
28	4	737184	Spring washer	Tallriksfjäder		
29	10	705021	Washer	Bricka		
30	1	801266	Shaft	Axel		
31	2	744400	Cog wheel	Kugghjul		Complete. Middle cut
32	2	744399	Cog wheel	Kugghjul		Complete. Edge trimmer
33	2	705201	Ball bearing	Spårkullager		
34	4	706266	Screw	Skruv		
35	1	735285	Pulley	Kuggremshjul		
36	1	706240	Key	Kil		
37	1	705539	Stop screw	Stoppskruv		
38	1	802800	Shaft	Axel		
39	1		Edge trimmer	Kantskär		Left. See illustr. 1863
40	1		Edge trimmer	Kantskär		Right. See illustr. 1863
41	1	801273	Knob	Inställningsvred		
42	1	706540	Stop screw	Stoppskruv		
43	2	705211	Ball bearing	Spårkullager		
44	4	706266	Screw	Skruv		
45	4	726653	Spacer screw	Distansskruv		
46	1	727201	Attachment	Fäste		
47	1	727400	Motor socket	Motorfäste		
48	4	705946	Screw	Skruv		
49	4	705451	Washer	Bricka		
50	1	737900	Encoder	Pulsgivare		Includes item 62
51	1	737888	Clutch	Axelkoppling		
52	1	802380	Pulley	Kuggremshjul		
53	1	708206	Key	Kil		
54	1	705539	Stop screw	Stoppskruv		
55	1	737504	Cog belt	Kuggrem		
56	1	737892	Clutch	Axelkoppling		



LX560/LX565

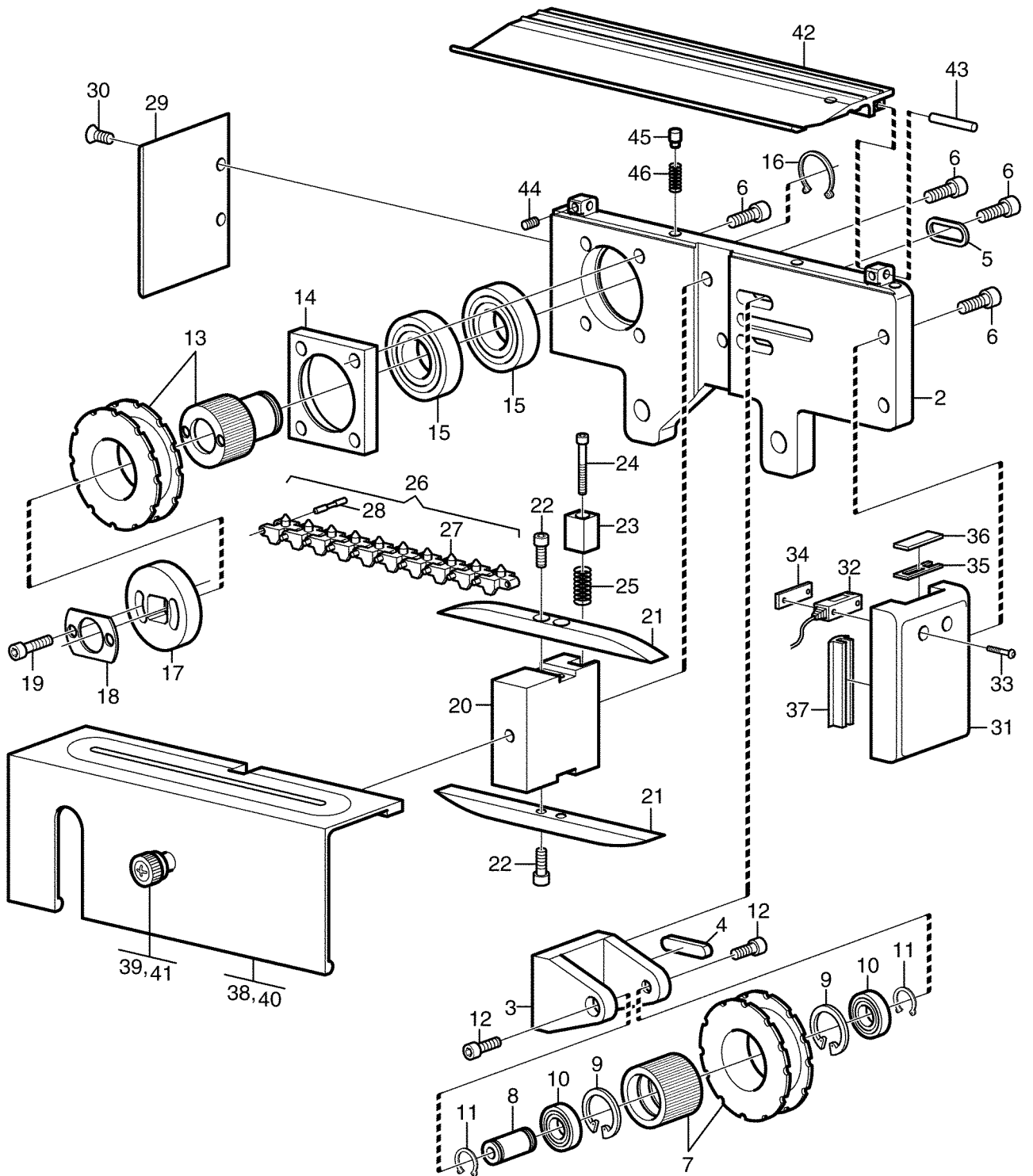
Drive unit, middle cut, marging trim and pin feeding

Drivning, mittskär, kantskär och traktormatning

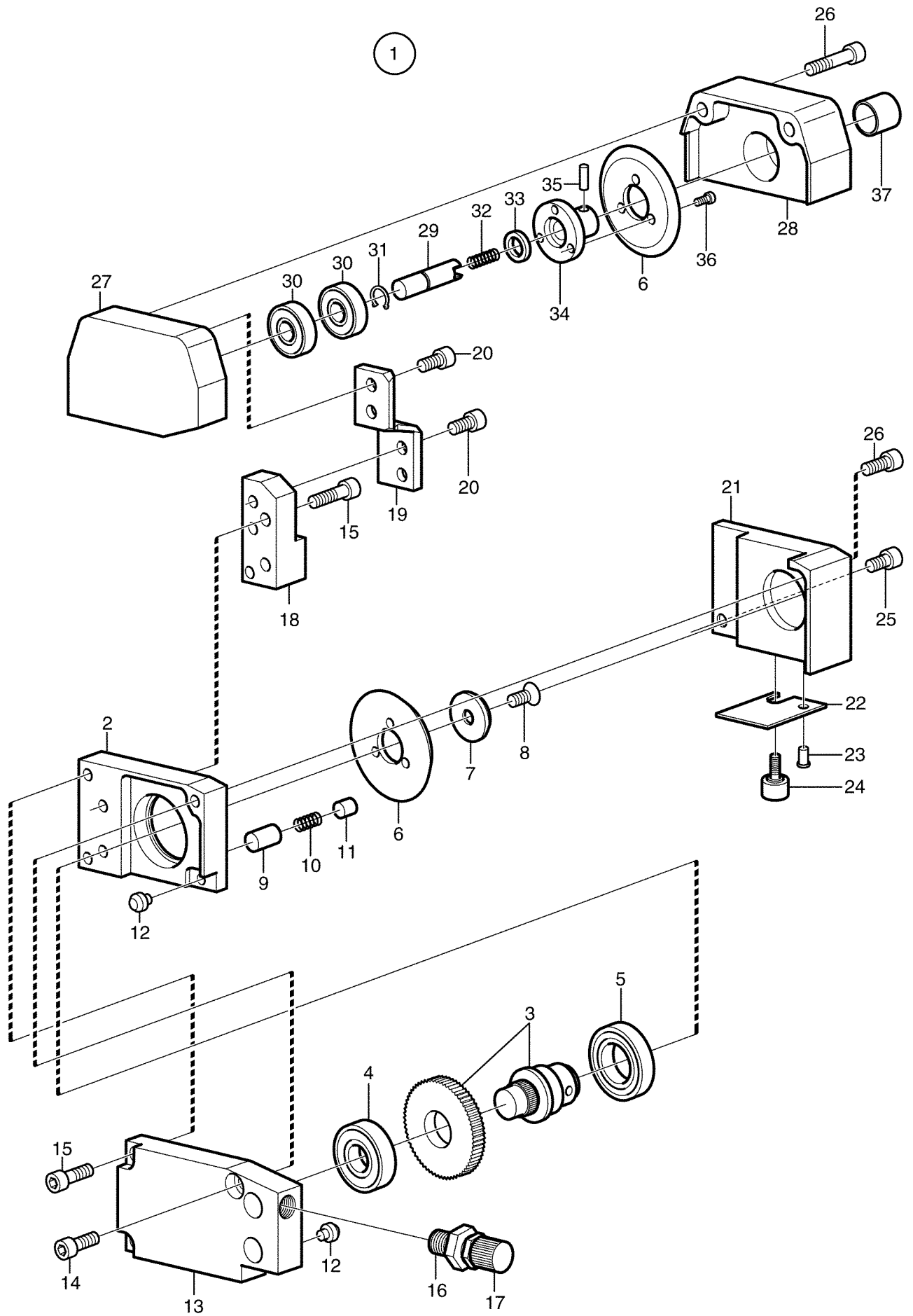
Illustration Issue Month Year
Illustration Utgåva Månad År
1905/2 3 3 2007

Item Pos.	Qua Ant.	Art.No Art.nr	Description	Benämning	Info Info	Notes Anmärkning
56A	1	745659	Torque disc	Momentskiva		PU92 shore 19/24 Included in item 56
57	1	707248	Motor	Motor		
58	4	705017	Screw	Skruv		
59	4	705015	Washer	Bricka		
60	4	737212	Spacer screw	Distansskruv		
61	4	726745	Spacer screw	Distansskruv		
62	3		Screw	Skruv		With encoder
63	8	705453	Screw	Skruv		
64			Pin feed	Traktormatning		See illustr. 1864
65	2	801276	Paper guide	Pappersstyrning		

1



LX560/LX565				Illustration	Issue	Month	Year
Pin feed				Illustration	Utgåva	Månad	År
Traktormatning				1864/1	1	3	2001
Item Pos.	Qua Ant.	Art.No Art.nr	Description	Benämning	Info Info	Notes Anmärkning	
1	1	801330	Pin feed, complete	Traktormatning, komplett		Left. Includes item 2-46	
	1	801329	Pin feed, complete	Traktormatning, komplett		Right. Includes item 2-46	
2	1	801243	•Gable	•Gavel		Left.	
	1	801231	•Gable	•Gavel		Right.	
3	1	801119	•Attachment	•Fäste			
4	1	726837	•Key	•Kil			
5	2	801237	•Washer	•Bricka			
6	5	706096	•Screw	•Skruv			
7	1	801324	•Hub	•Nav			
8	1	801234	•Shaft	•Axel			
9	2	708921	•C-clamp	•Segersäkring			
10	2	708920	•Ball bearing	•Spårkullager			
11	2	705561	•C-clamp	•Segersäkring			
12	2	706532	•Screw	•Skruv			
13	1	801323	•Hub	•Nav			
14	1	801181	•Bearing housing	•Lagerhus			
15	2	737796	•Ball bearing	•Spårkullager			
16	1	708928	•C-clamp	•Segersäkring			
17	1	801183	•Driving nut	•Drivmutter			
18	1	801238	•Washer	•Bricka			
19	2	706539	•Screw	•Skruv			
20	1	801244	•Spacer	•Distans			
21	2	801038	•Support	•Stag			
22	4	705443	•Screw	•Skruv			
23	1	801225	•Stop	•Stopp			
24	1	705989	•Screw	•Skruv			
25	1	737798	•Pressure spring	•Tryckfjäder			
26	1	801258	•Chain	•Kedja		Complete. Includes items 27,28	
27	1	801241	•Chain link	•Kedjelänk			
28	Rq	801098	•Shaft	•Axel			
29	1	801236	•Gable	•Gavel			
30	2	706017	•Screw	•Skruv			
31	1	801245	•Gable	•Gavel		Left.	
	1	801232	•Gable	•Gavel		Right.	
32	1	737145	•Photocell	•Fotocell		Includes item 33	
33	2		•Screw	•Skruv			
34	1	801257	•Nut	•Mutter			
35	1	801228	Tape	Tejp			
36	1	801229	•Glass lens	•Glaslins			
37	1	737841	•Cover strip	•Täcklist			
38	1	801327	•Cover	•Kåpa		Left. Includes item 39	
39	1	737800	•Snap lock	•Snäpplås			
40	1	801328	•Cover	•Kåpa		Right. Includes item 41	
41	1	737800	•Snap lock	•Snäpplås			
42	1	801242	•Lid	•Lock		Left.	
	1	801230	•Lid	•Lock		Right.	
43	2	737797	•Cylindrical pin	•Cylindrisk pinne			
44	2	705649	•Screw	•Skruv			
45	4	801022	•Spacer	•Distans			
46	4	737799	•Pressure spring	•Tryckfjäder			



LX560/LX565

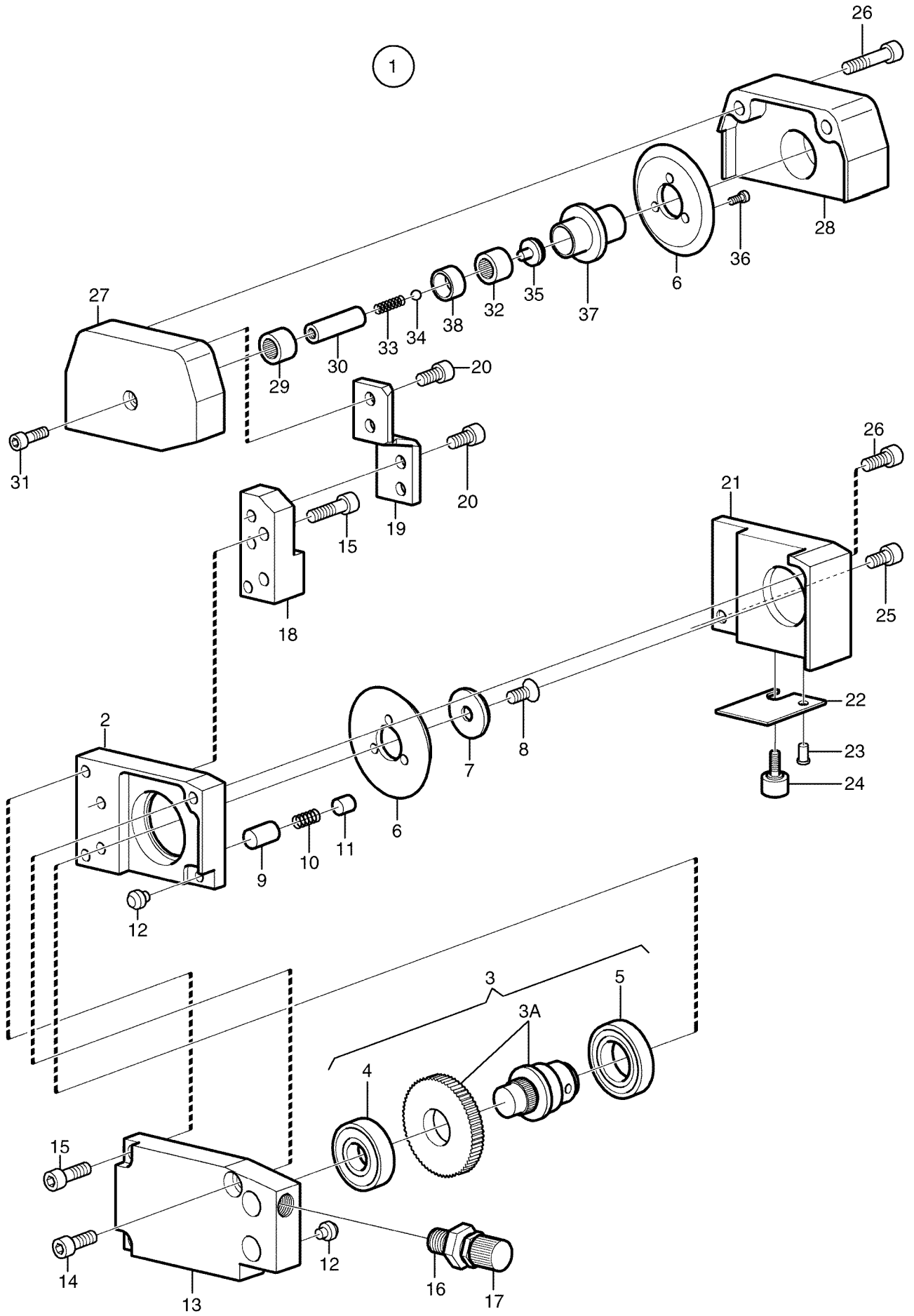
Middle knife, upto 04LX560024

Mittskär, t o m 04LX560024

Illustration Issue Month Year
Illustration Utgåva Månad År
1862/1 1 2 2001

Item Pos.	Qua Ant.	Art.No Art.nr	Description	Benämning	Info Info	Notes Anmärkning
1	1	801322	Middle knife compl.	Mittskär kompl.		Includes item 2-37
2	1	801309	•Gable	•Gavel		Inner
3	1	801346	•Shaft	•Axel		Complete with gear wheel
4	1	705209	•Ball bearing	•Spårkullager		
5	1	737665	•Ball bearing	•Spårkullager		
6	2	801316	•Knife	•Kniv		
7	1	801304	•Washer	•Bricka		
8	1	706015	•Screw	•Skruv		
9	1	801317	• Sleeve	•Hylsa		
10	1	737657	•Pressure spring	•Tryckfjäder		
11	1	801318	•Lubricating felt	•Smörjfilt		
12	2	801074	•Plug	•Plugg		
13	1	801310	•Gable	•Gavel		Outer
14	1	905946	•Screw	•Skruv		
15	4	706024	•Screw	•Skruv		
16	1	737658	•Setting bolt	•Inställningsbult		
17	1	737662	•Knob	•Knopp		
18	1	801112	•Spacer	•Distans		
19	1	801101	•Knife	•Kniv		
20	4	726690	•Screw	•Skruv		
21	1	801311	•Cover	•Kåpa		Lower
22	1	801312	•Cover	•Skydd		
23	1	737663	•Screw	•Skruv		
24	1	737634	•Knob	•Ratt		
25	1	706096	•Screw	•Skruv		
26	3	705537	•Screw	•Skruv		
27	1	801308	•Gable	•Gavel		Upper
28	1	801307	•Cover	•Kåpa		Upper
29	1	801315	•Shaft	•Axel		
30	2	737664	•Ball bearing	•Spårkullager		
31	1	705645	•C-clamp	•Segersäkring		
32	1	737660	•Pressure spring	•Tryckfjäder		
33	1	737659	•Sealing ring	•Tätningring		
34	1	801314	•Hub	•Nav		
35	1	706549	•Cylindrical pin	•Cylindrisk pinne		
36	3	705439	•Screw	•Skruv		
37	1	737661	•Protective plug	•Skyddsplugg		

1



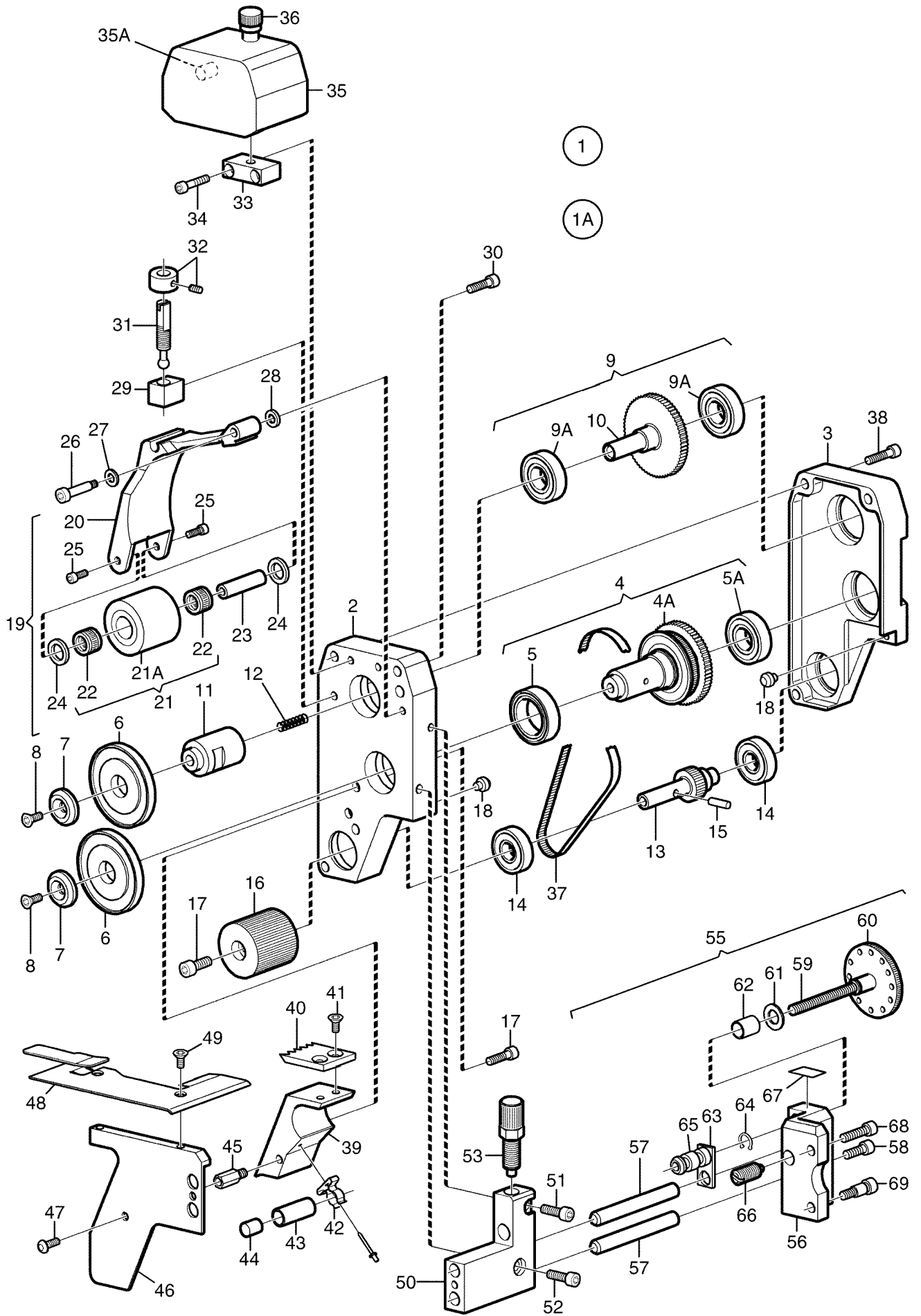
LX560/LX565

Middle knife, from 04LX560025

Mittskär, fr o m 04LX560025

Illustration Issue Month Year
Illustration Utgåva Månad År
2257/3 3 3 2006

Item Pos.	Qua Ant.	Art.No Art.nr	Description	Benämning	Info Info	Notes Anmärkning
1	1	801322	Middle knife compl.	Mittskär kompl.		Includes item 2-38
2	1	801309	•Gable	•Gavel		Inner
3	1	749529	•Shaft compl.	•Axel kompl.		Includes item 3A-5
3A	1	801346	••Shaft	••Axel		Complete with gear wheel
4	1	705209	••Ball bearing	••Spårkullager		
5	1	737665	••Ball bearing	••Spårkullager		
6	2	801316	•Knife	•Kniv		
7	1	801304	•Washer	•Bricka		
8	1	706015	•Screw	•Skruv		
9	1	801317	•Sleeve	•Hylsa		
10	1	737657	•Pressure spring	•Tryckfjäder		
11	1	801318	•Lubricating felt	•Smörjfilt		
12	2	801074	•Plug	•Plugg		
13	1	801310	•Gable	•Gavel		Outer
14	1	905946	•Screw	•Skruv		
15	4	706024	•Screw	•Skruv		
16	1	737658	•Setting bolt	•Inställningsbult		
17	1	737662	•Knob	•Knopp		
18	1	801112	•Spacer	•Distans		
19	1	801101	•Knife	•Kniv		
20	4	726690	•Screw	•Skruv		
21	1	801311	•Cover	•Kåpa		Lower
22	1	801312	•Cover	•Skydd		
23	1	737663	•Screw	•Skruv		
24	1	737634	•Knob	•Ratt		
25	1	706096	•Screw	•Skruv		
26	3	705537	•Screw	•Skruv		
27	1	748361	•Gable	•Gavel		
28	1	801307	•Cover	•Kåpa		Upper
29	1	737218	•Needle bearing	•Nållager		
30	1	748358	•Shaft	•Axel		
31	1	705636	•Screw	•Skruv		
32	1	737732	•Drawn cup needle bearing	•Nålrullbusning		
33	1	745632	•Compression spring	•Tryckfjäder		
34	1	745584	•Ball	•Kula		
35	1	748359	•Lid	•Lock		
36	3	705439	•Screw	•Skruv		
37	1	748360	•Shaft	•Axel		
38	1	801386	•Spacer sleeve	•Distanshylsa		



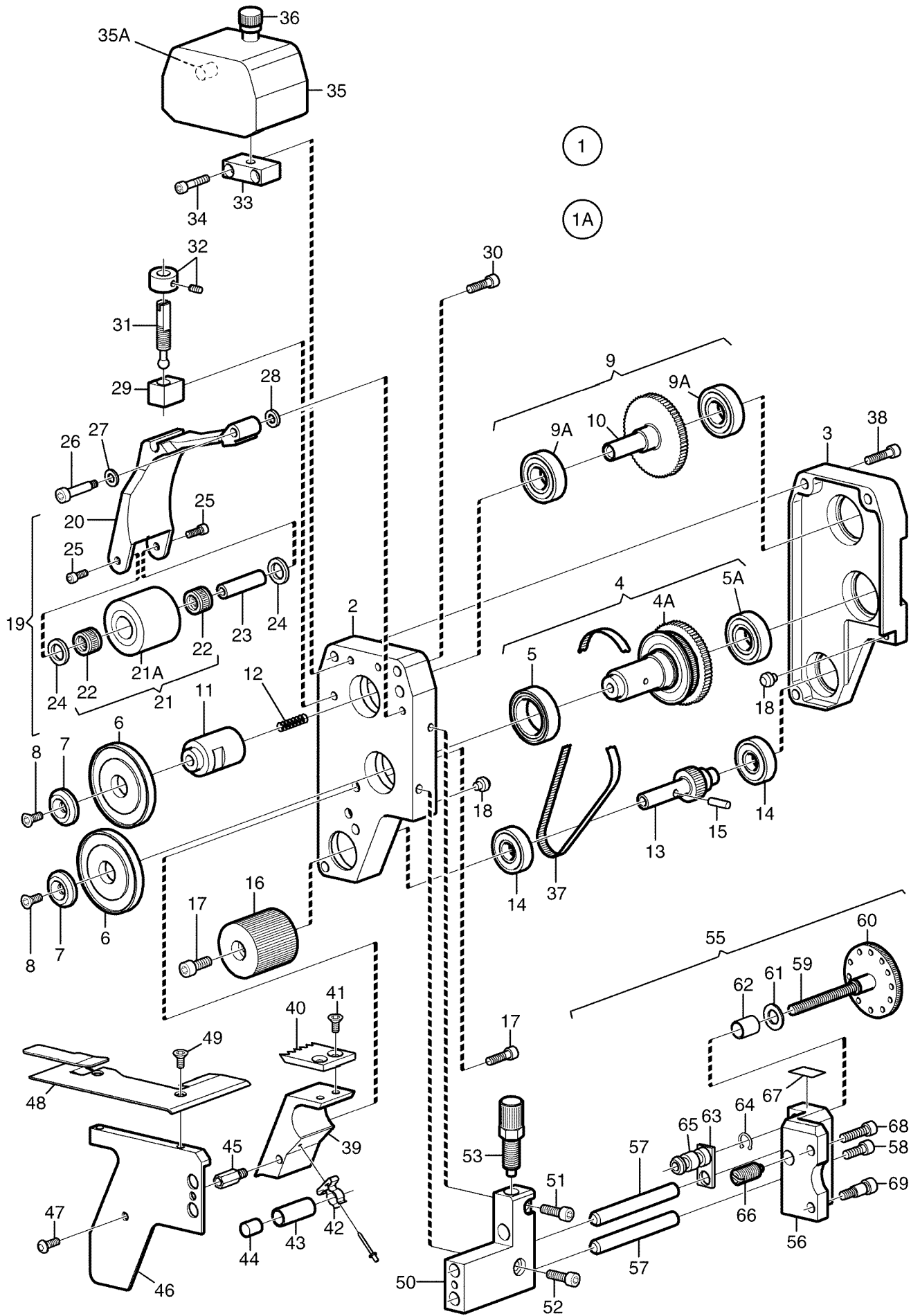
LX560/LX565

Edge trimmer, up to 050920

Kantskår, t o m 050920

Illustration Issue Month Year
Illustration Utgåva Månad År
1863/6 9 3 2006

Item Pos.	Qua Ant.	Art.No Art.nr	Description	Benämning	Info Info	Notes Anmärkning
1	1	801339	Edge trimmer, compl. with standblock	Kantskår, kompl med ställblock		Left. Includes item 1A-67
	1	801345	Edge trimmer, compl. with standblock	Kantskår, kompl med ställblock		Right. Includes item 1A-67
1A	1	749072	•Edge trimmer	•Kantskår		Left. Includes item 2-53
	1	749073	•Edge trimmer	•Kantskår		Right. Includes item 2-53
2	1	801299	••Gable	••Gavel		Left. Inner
	1	801297	••Gable	••Gavel		Right. Inner
3	1	801300	••Gable	••Gavel		Left. Outer
	1	801298	••Gable	••Gavel		Right. Outer
4	1	749531	••Shaft	••Axel		Complete. Includes item 4A-5A
4A	1	801332	•••Shaft	•••Axel		Complete with shaft, cog belt wheel and cog wheel
	1	801280	••••Shaft	••••Axel		
	1	801150	••••Pulley	••••Kuggremshjul		
	1	801226	••••Cog wheel	••••Kuggghjul		
5	1	737818	•••Ball bearing	•••Spårkullager		
5A	1	737817	•••Ball bearing	•••Spårkullager		
6	2	801277	••Knife	••Kniv		
7	2	801304	••Washer	••Bricka		
8	2	706016	••Screw	••Skruv		
9	1	749530	••Shaft	••Axel		Complete. Includes item 9A-10
9A	2	737817	•••Ball bearing	•••Spårkullager		
10	1	801334	•••Shaft	•••Axel		Complete with gear wheel
	1	801239	••••Plastic gearwheel	••••Plastkuggghjul		
11	1	801337	••Axel complete, right	••Axel komplett, höger		Includes sealing ring, free wheel hub with sleeve
	1	801374	••Axel complete, left	••Axel komplett, vänster		Includes sealing ring, free wheel hub with sleeve
12	1	737830	••Pressure spring	••Tryckfjäder		
13	1	801333	••Shaft	••Axel		Complete with cog belt wheel
14	2	737816	••Ball bearing	••Spårkullager		
15	1	737827	••Cylindrical pin	••Cylindrisk pinne		
16	1	801282	••Jerk wheel	••Ryckarhjul		
17	3	706096	••Screw	••Skruv		
18	2	801074	••Plug	••Plugg		
19	1	801336	••Pull arm	••Ryckararm		Complete, left. Includes item 20-25
	1	801341	••Pull arm	••Ryckararm		Complete, right. Includes item 20-25
20	1	801292	•••Pull arm	•••Ryckararm		Left.
	1	801290	•••Pull arm	•••Ryckararm		Right.
21	1	748415	•••Rubber wheel, complete	•••Gummihjul, komplett		Includes item 21A-22
21A	1	801342	••••Rubber wheel	••••Gummihjul		
22	2	737218	••••Needle bearing	••••Nållager		
23	1	801070	•••Shaft	•••Axel		
24	2	708875	•••Washer	•••Bricka		
25	2	705443	•••Screw	•••Skruv		
26	1	737832	••Screw	••Skruv		
27	1	737824	••Spacer ring	••Distansring		
28	1	737825	••Spacer ring	••Distansring		
29	1	801287	••Attachment	••Fäste		
30	1	705443	••Screw	••Skruv		
31	1	801286	••Screw	••Skruv		
32	1	737509	••Stop ring	••Stoppring		Complete.
33	1	801303	••Guide heel	••Styrklack		
34	2	706194	••Screw	••Skruv		
35	1	801291	••Cover	••Kåpa		Up to 03LX560005
	1	801375	••Cover	••Kåpa		From 03LX560006



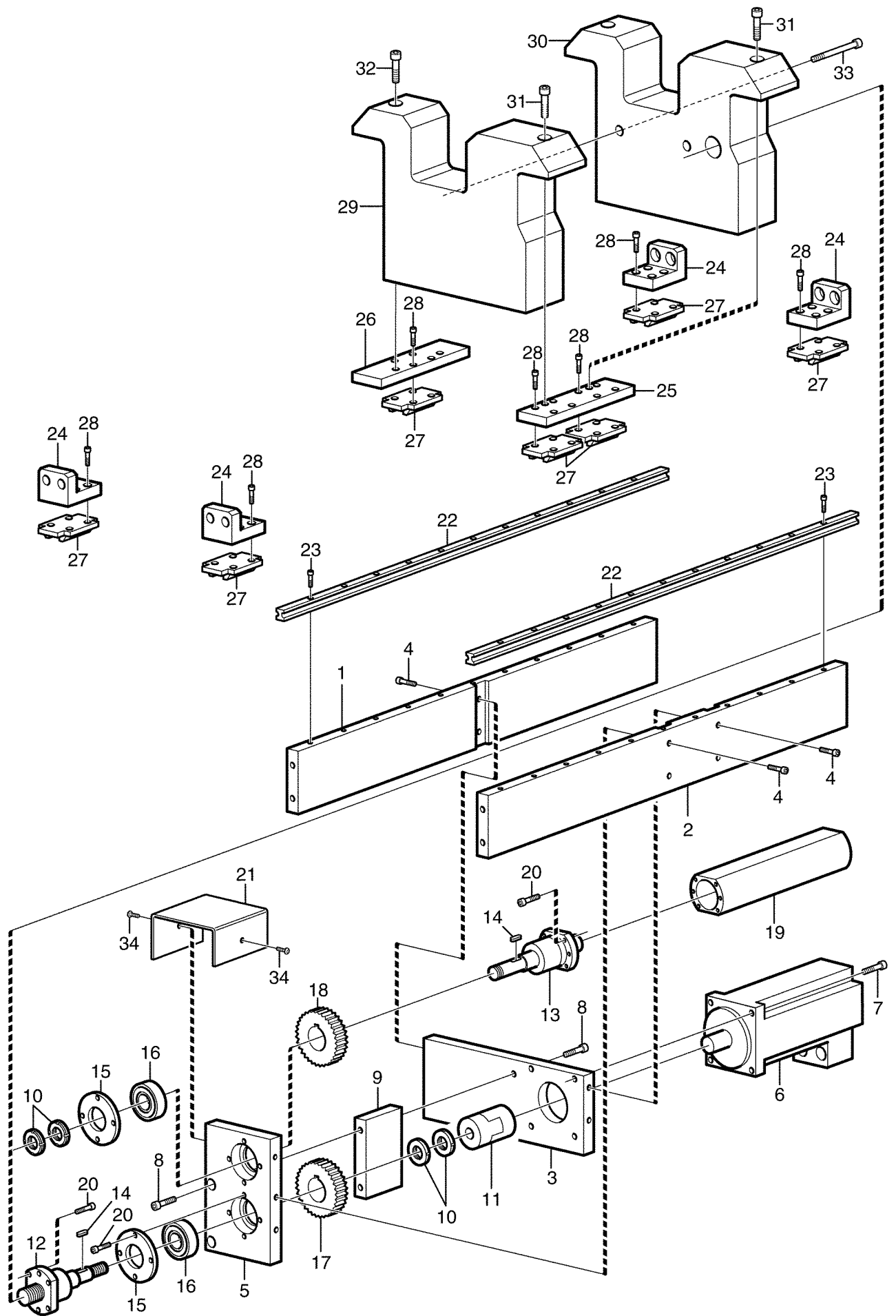
LX560/LX565

Edge trimmer, up to 050920

Kantskär, t o m 050920

Illustration Issue Month Year
Illustration Utgåva Månad År
1863/6 9 3 2006

Item Pos.	Qua Ant.	Art.No Art.nr	Description	Benämning	Info Info	Notes Anmärkning
35A	1	801295	••Lubricating felt	••Smörjfilt		From 03LX560006
36	1	737800	••Snap lock	••Snäpplås		
37	1	737820	••Cog belt	••Kuggrem		
38	3	705537	••Screw	••Skruv		
39	1	801289	••Knife holder	••Knivhållare		Left.
	1	801288	••Knife holder	••Knivhållare		Right.
40	1	801081	••Knife	••Kniv		
41	2	706132	••Screw	••Skruv		
42	1	737836	••Tool holder	••Verktygshållare		Up to 03LX560005
43	1	801283	••Sleeve	••Hylsa		Up to 03LX560005
44	1	801295	••Lubricating felt	••Smörjfilt		Up to 03LX560005
45	1	737826	••Spacer screw	••Distansskruv		
46	1	801294	••Cover	••Kåpa		Left. Lower
	1	801293	••Cover	••Kåpa		Right. Lower
47	2	706286	••Screw	••Skruv		
48	1	801306	••Guiding plate	••Styrplåt		Left.
	1	801305	••Guiding plate	••Styrplåt		Right.
49	2	707555	••Screw	••Skruv		
50	1	801285	••Guideblock	••Styrblock		Left.
	1	801284	••Guideblock	••Styrblock		Right.
51	1	737822	••Screw	••Skruv		
52	1	737823	••Screw	••Skruv		
53	1	745145	••Setting bolt	••Inställningsbult		
54						Not used
55	1	749250	•Standblock, complete	•Ställblock, komplett		Left. Includes item 56-67
	1	749251	•Standblock, complete	•Ställblock, komplett		Right. Includes item 56-67
56	1	801301	••Standblock	••Ställblock		Left.
	1	801302	••Standblock	••Ställblock		Right.
57	2	801192	••Shaft	••Axel		
58	2	726690	••Screw	••Skruv		
59	1	737831	••Pin screw	••Pinnskruv		
60	1	801189	••Adjusting knob	••Ställratt		
61	1	737499	••Washer	••Bricka		
62	1	737379	••Bearing	••Glidlager		
63	1	801191	••Plate	••Platta		
64	1	705645	••C-clamp	••Segersäkring		
65	1	801195	••Nut	••Mutter		
66	1	745004	••Screw	••Fjädrande tryckskruv		
67	1	801347	••Sign	••Skylt		
68	1	706024	Screw	Skruv		
69	2	726936	Fitting bolt	Passbult		



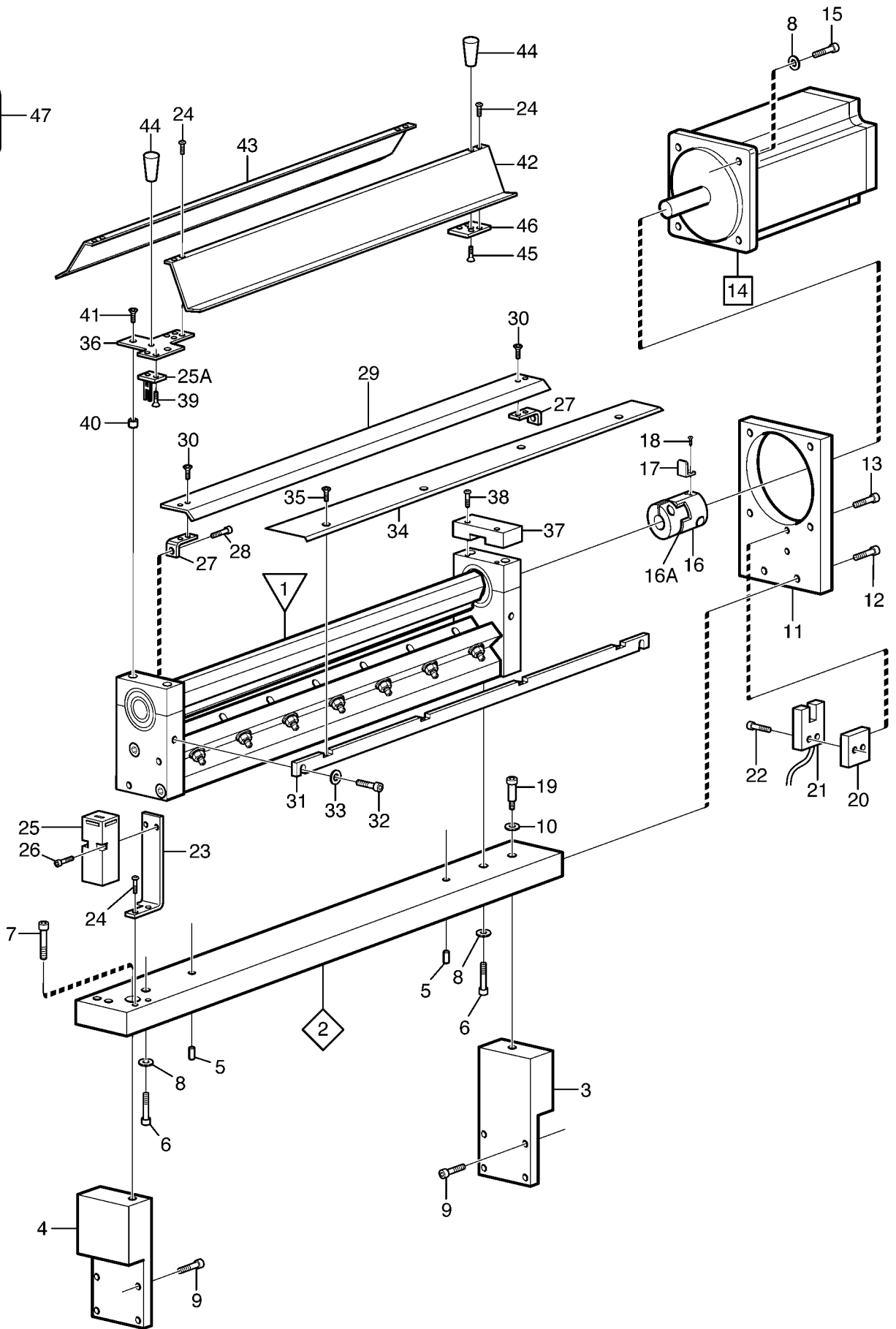
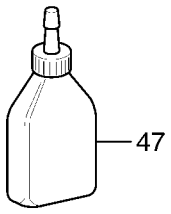
LX560/LX565

Offset up to 02-LX560-29

Offset t.o.m. 02-LX560-29

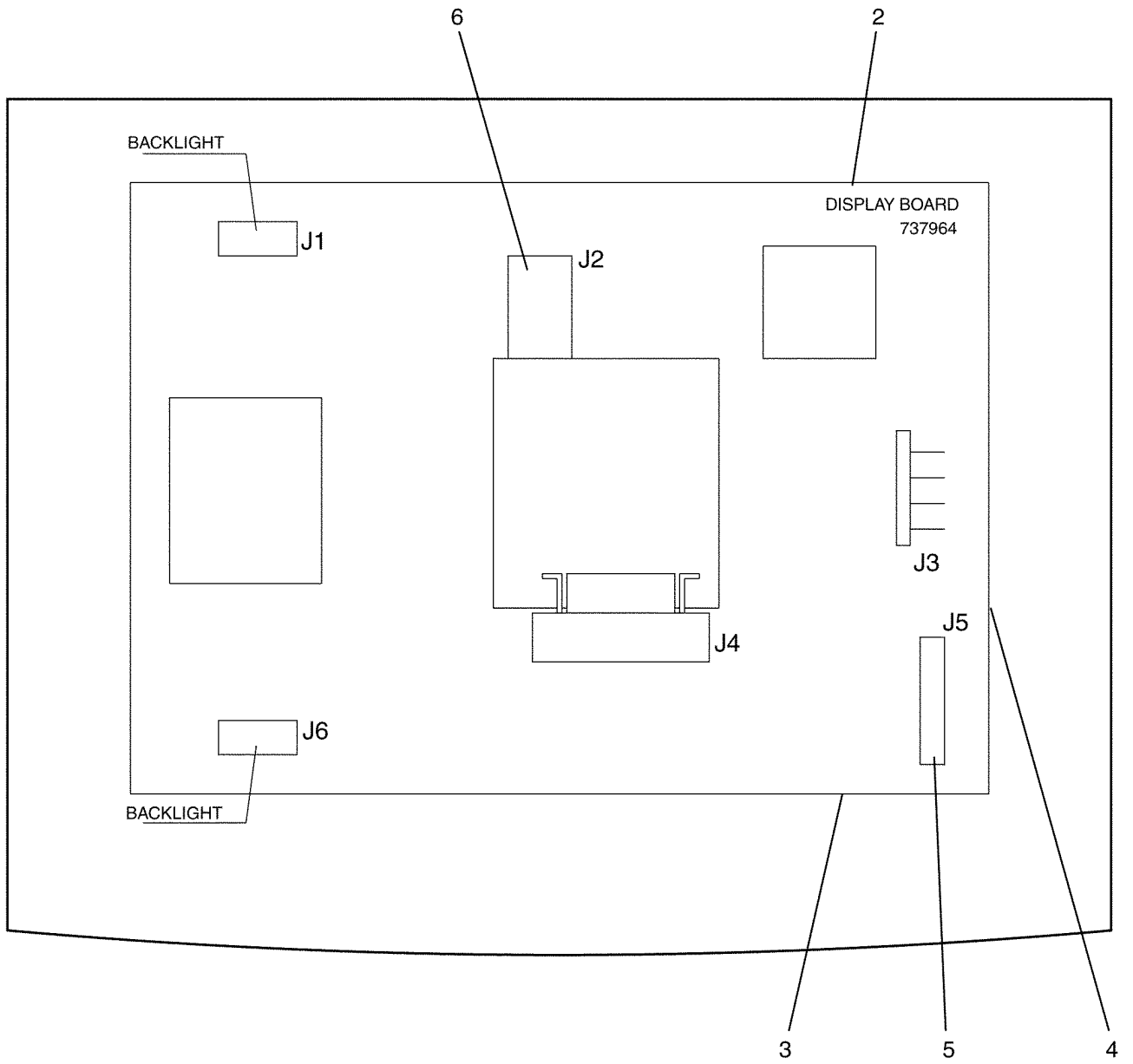
Illustration Issue Month Year
Illustration Utgåva Månad År
1881/1 2 10 2002

Item Pos.	Qua Ant.	Art.No Art.nr	Description	Benämning	Info Info	Notes Anmärkning
1	1	802387	Spacer	Distans		
2	1	802386	Spacer	Distans		
3	1	802388	Motor plate	Motorplatta		
4	6	705006	Screw	Skruv		
5	1	802823	Bearing housing	Lagerhus		
6	1	726823	Servo motor	Servomotor		
7	4	705630	Screw	Skruv		
8	4	705017	Screw	Skruv		
9	1	802389	Spacer	Distans		
10	4	737895	Nut	Mutter		
11	1	737829	Connection	Koppling		
12	1	802385	Rolled thread ball screw	Kulskruv		
13	1	802820	Rolled thread ball screw	Kulskruv		
14	2	726742	Key	Kil		
15	2	802299	Bearing cover	Lagerlock		
16	2	737828	Ball bearing	Kullager		
17	1	802833	Cog wheel	Kugghjul		Lower
18	1	802834	Cog wheel	Kugghjul		Upper
19	1	802821	Spacer sleeve	Distanshylsa		
20	18	705453	Screw	Skruv		
21	1	802846	Cover	Skydd		
22	2	802327	Rail guide	Skenstyrning		
23	22	706539	Screw	Skruv		
24	4	802326	Attachment	Fäste		
25	1	802392	Mounting plate	Fästplatta		
26	1	802391	Mounting plate	Fästplatta		
27	7	737803	Rail guide carriage	Skenstyrningsvagn		Replaced by 745730
	7	745730	Rail guide carriage	Skenstyrningsvagn		Ersätter 737803
28	28	705946	Screw	Skruv		
29	1	802394	Counterweight	Motvikt		Left.
30	1	802393	Counterweight	Motvikt		Right.
31	2	705013	Screw	Skruv		
32	2	726698	Screw	Skruv		
33	2	708624	Screw	Skruv		
34	2	706266	Screw	Skruv		



LX560/LX565					Illustration	Issue	Month	Year
Cut. unit					Illustration	Utgåva	Månad	År
Klippaggregat					1912/4	5	12	2004
Item Pos.	Qua Ant.	Art.No Art.nr	Description	Benämning	Info Info	Notes Anmärkning		
1	1	802670	Cut. unit	Klippaggregat		Complete.		
2	1	802046	Bottom plate	Bottenplåt				
3	1	802044	Attachment	Fäste				
4	1	802043	Attachment	Fäste				
5	2	737501	Cylindrical pin	Cylindrisk pinne				
6	2	705458	Screw	Skruv				
7	1	705006	Screw	Skruv				
8	6	705015	Washer	Bricka				
9	8	705017	Screw	Skruv				
10	1	708196	Washer	Bricka				
11	1	802045	Mounting plate	Fästplatta				
12	2	705096	Screw	Skruv				
13	2	705946	Screw	Skruv				
14	1	737992	Servo motor	Servomotor				
15	4	705006	Screw	Skruv				
16	1	735103	Clutch	Axelkoppling				
16A	1	745654	Moment plate	Momentplatta				
17	1	735102	Angle bracket	Vinkelfäste				
18	2	737117	Screw	Skruv				
19	1	707446	Screw	Passskruv				
20	1	802863	Sensor bracket	Givarfäste				
21	1	705137	Photocell	Fotocell				
22	2	708456	Screw	Skruv				
23	1	802878	Attachment	Fäste				
24	10	705500	Screw	Skruv				
25	1	726715	Safety switch	Säkerhetsbrytare		Up to 041231, includes item 25A		
	1	745716	Safety switch	Säkerhetsbrytare		From 050101, includes item 25A		
25A	1		Fork	Gaffel		Included in item 25		
26	2	708817	Screw	Skruv				
27	2	802880	Angular element	Vinkel				
28	2	705440	Screw	Skruv				
29	1	802883	Guiding plate	Styrplåt		Up to 04LX560005		
	1	803327	Guiding plate	Styrplåt		From 04LX560006		
30	4	707555	Screw	Skruv				
31	1	802672	Support	Stag				
32	2	726805	Screw	Skruv				
33	2	705451	Washer	Bricka				
34	1	802684	Plate	Plåt		Up to 04LX560005		
	1	803326	Plate	Plåt		From 04LX560006		
35	4	706017	Screw	Skruv				
36	1	802875	Mounting plate	Fästplatta				
37	1	802877	Head	Klack				
38	2	726773	Screw	Skruv				
39	2	706132	Screw	Skruv				
40	2	802879	Plug	Plugg				
41	2	706015	Screw	Skruv				
42	1	802881	Cover	Skydd				
43	1	802882	Cover	Skydd				
44	2	726774	Knob	Knopp				
45	2	706016	Screw	Skruv				
46	1	802876	Plate	Platta				
47	Rq	707318	Spray oil	Olja spray				

①



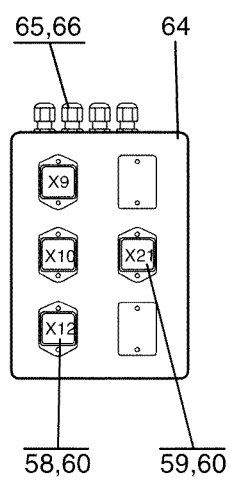
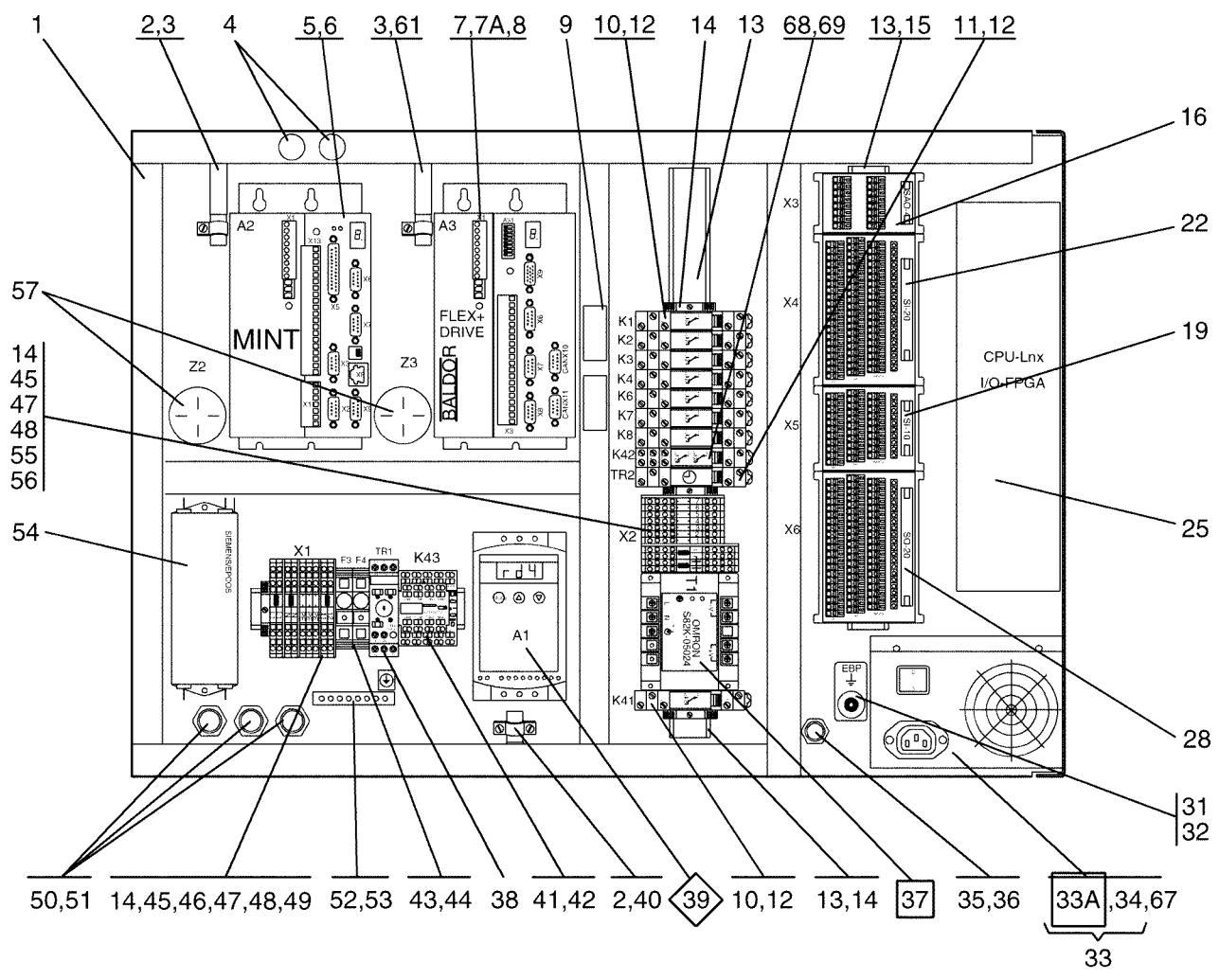
LX560/LX565

Display unit, up to 02-LX560-03

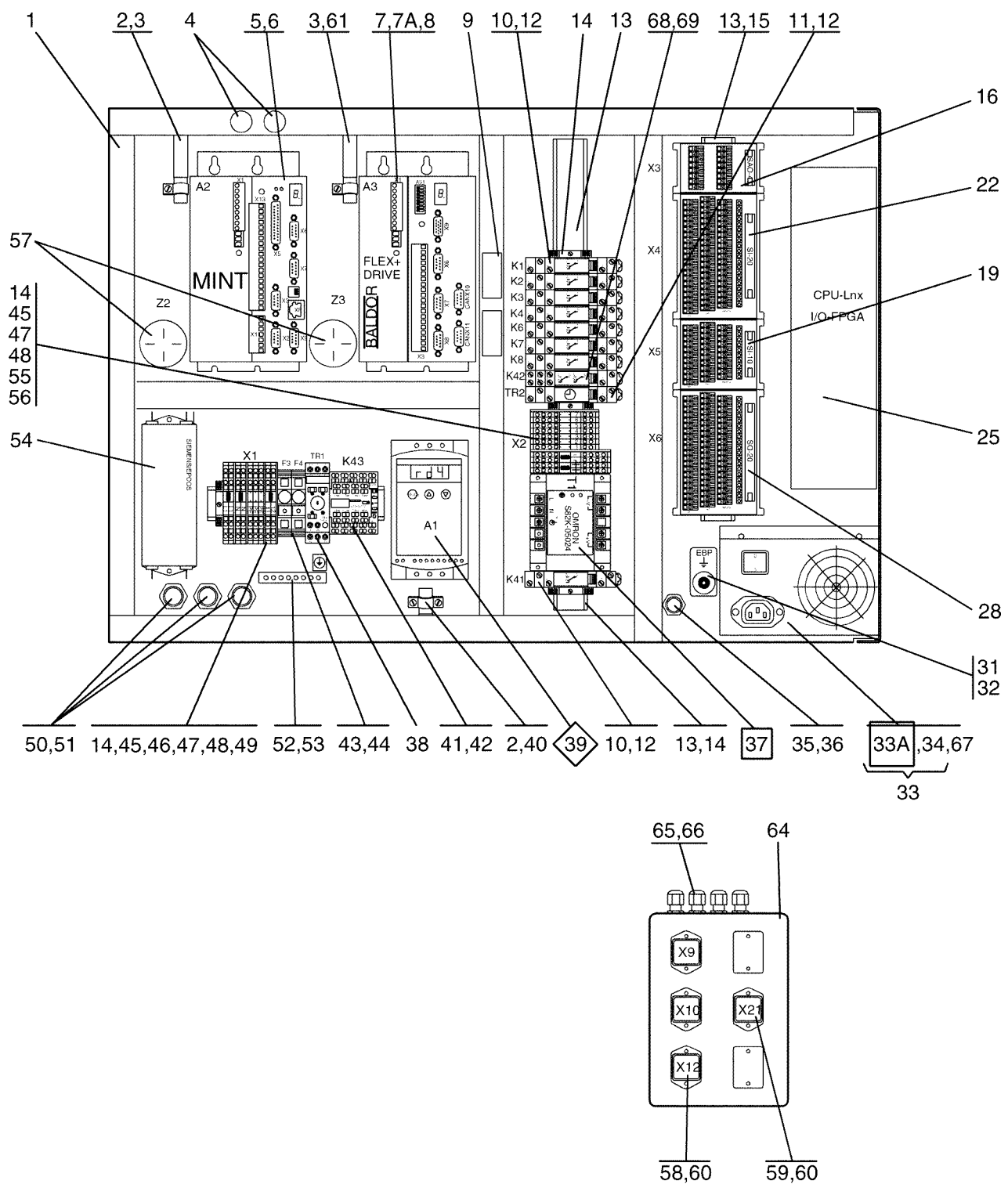
Displayenhet, tom 02-LX560-03

Illustration Issue Month Year
Illustration Utgåva Månad År
1993/1 2 2 2003

Item Pos.	Qua Ant.	Art.No Art.nr	Description	Benämning	Info Info	Notes Anmärkning
1	1	739582	Touchdisplay	Touchdisplay		Complete. When ordering item 1-4 state Art. No. X744825 When ordering item 1-4 state Art. No. X744825 When ordering item 1-4 state Art. No. X744825 When ordering item 1-4 state Art. No. X744825 Display card-LCD J2 12V Power supply
2	1	737964	•Display-card	•Displaykort		
3	1	737965	•Touch flatscreen	•Pekskärmsplatta		
4	1	737966	•Display	•Display		
5	1	737976	Cable	Kabel		
6	1	739598	Cable	Kabel		



LX560/LX565					Illustration	Issue	Month	Year
EI-cabinet No. 739538					Illustration	Utgåva	Månad	År
EI-skåp nr. 739538					1934/6	7	11	2005
Item Pos.	Qua Ant.	Art.No Art.nr	Description	Benämning	Info Info	Notes Anmärkning		
1	1	802312	Mounting plate	Monteringsplåt				
2	Rq	726055	Cable	Kabel		4-pole Specify length in meters		
3	2	737536	Screw terminal	Skruvklammer				
4	2	707427	Cable inlet	Kabelgenomföring				
5	1	739628	Mintdrive 7A res. spare part	Mintdrive 7A resolver res.del				
6	1	737957	Cable	Kabel		Complete. Mintdrive		
7	1	739630	Flexdrive 5A res. spare part	Flexdrive 5A resolver res.del		Replaced by 745673		
	1	745673	Flex+drive II, 5A	Flex+drive II, 5A		Replaces 739630		
7A	1	745792	Adapter	Adapter		For 745673		
8	1	737956	Cable	Kabel		Complete. Flex+Drive		
9	2	737132	Noise protection	RC-nät				
10	8	726037	Relay	Relä				
11	1	726820	Time off delay	Tidrelä				
12	9	707744	Relay socket, Omron	Sockel relä, Omron				
13	Rq	706225	Din-bar	Din-skena		Specify length in meters		
14	5	737198	End support	Ändstöd				
15	2	708182	Din-bar	Din-skena		Specify length in meters		
16	1	737910	SAO-card	SAO-kort				
17						Not used		
18						Not used		
19	1	737906	SI-card	SI-kort				
20						Not used		
21						Not used		
22	1	737907	SI-card	SI-kort				
23						Not used		
24						Not used		
25	1	739583	LNX CPU complete	LNX CPU komplett		See illustr. 2083		
26						Not used		
27						Not used		
28	1	737908	SO-card	SO-kort				
29						Not used		
30						Not used		
31	1	737643	ESD-outlet	ESD-uttag				
32	1	704735	Label	Skylt ESD-uttag				
33	1	739782	Power supply complete	Spänningsaggregat komplett		Includes item 33A-34		
33A	1	737925	•Power supply	•Spänningsaggregat				
	1	745773	•Power supply	•Spänningsaggregat		LNX-CPU		
34	1	802874	•Mounting plate	•Monteringsplåt				
	1	749370	•Mounting plate	•Monteringsplåt				
35	1	708707	Strain relief	Skintop				
36	1	737256	Jam nut	Kontramutter				
37	1	726346	Power supply	Spänningsaggregat		2,1A		
38	1	726821	Time off delay	Tidrelä		TR1		
39	1	739614	ATV08 LX560 infeed spare part	ATV08 LX560 infeed res.del				
	1	739713	Frequence inverter	Frekvensstyrning		0,75kW Unprogrammed Altivar 11		
40	1	708909	Cable retainer	Kabelhållare				
41	1	737922	Contactora	Kontaktor				
42	1	737923	Aux-contact	Aux-kontakt				
43	2	737200	Terminal block fuse	Plintsäkring				
44	2	707666	Fuse	Säkring		4A		
45	5	737199	Jumper	Överkoppling				
46	3	737194	Terminal block	Plint				
47	10	737191	Terminal block	Plint		2+2		
48	5	737197	End plate	Ändplatta				
49	1	706725	Varistor	Varistor				
50	3	706718	Strain relief	Skintop				
51	3	706852	Jam nut	Kontramutter				



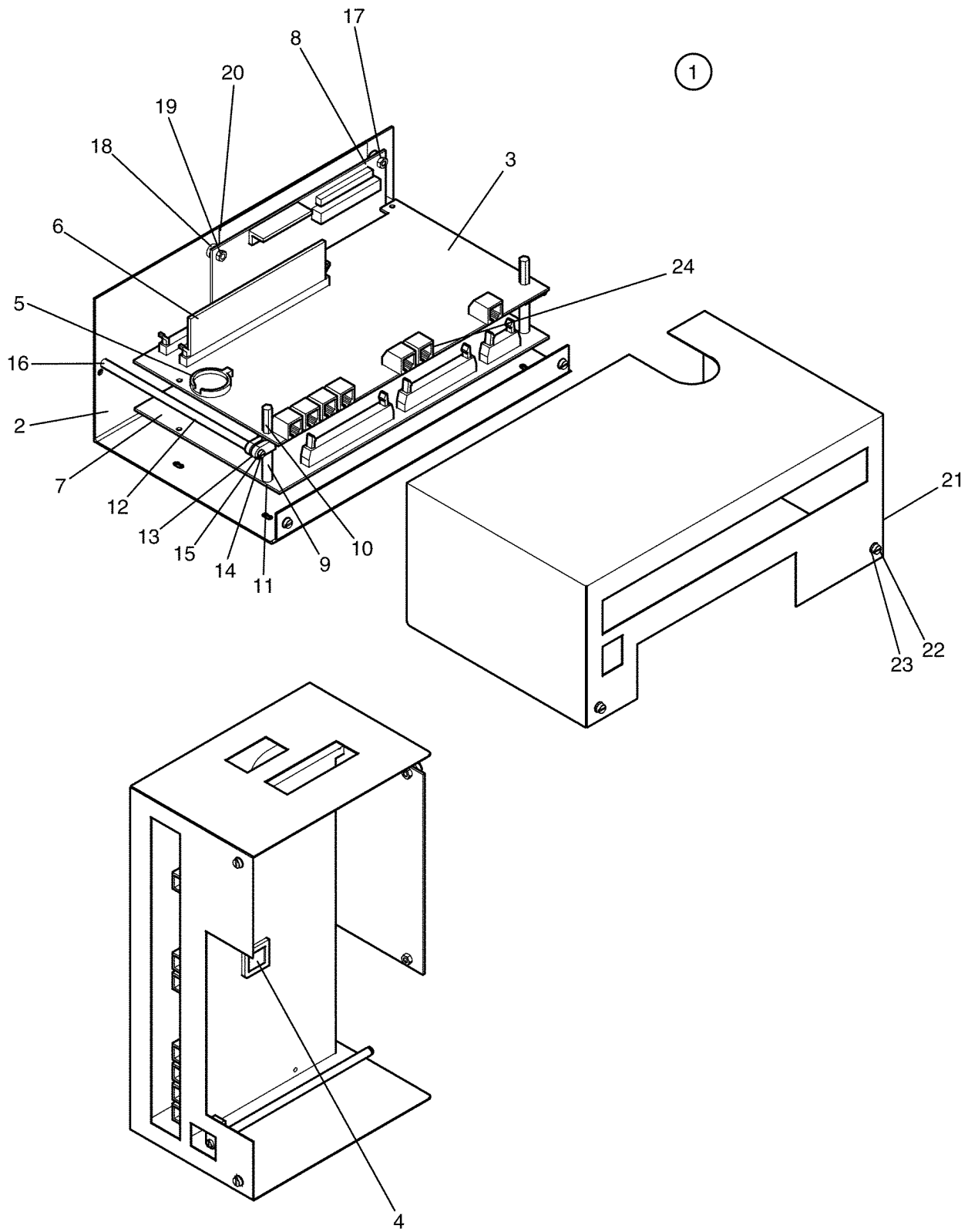
LX560/LX565

EI-cabinet No. 739538

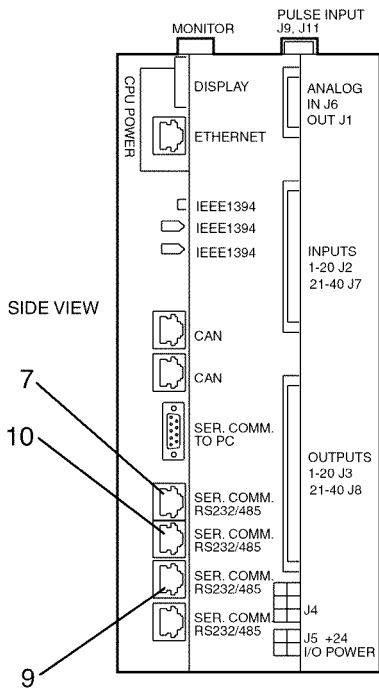
EI-skåp nr. 739538

Illustration Issue Month Year
Illustration Utgåva Månad År
1934/6 7 11 2005

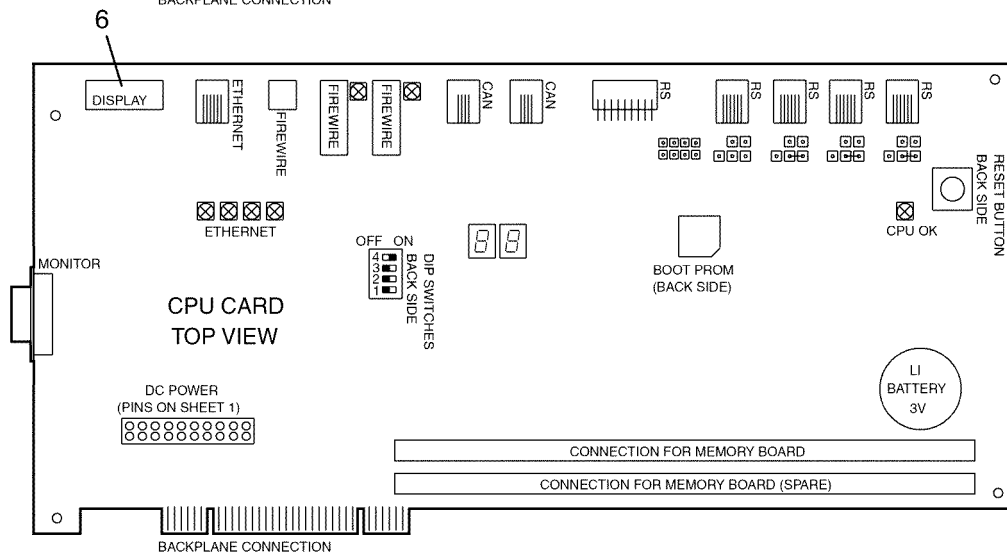
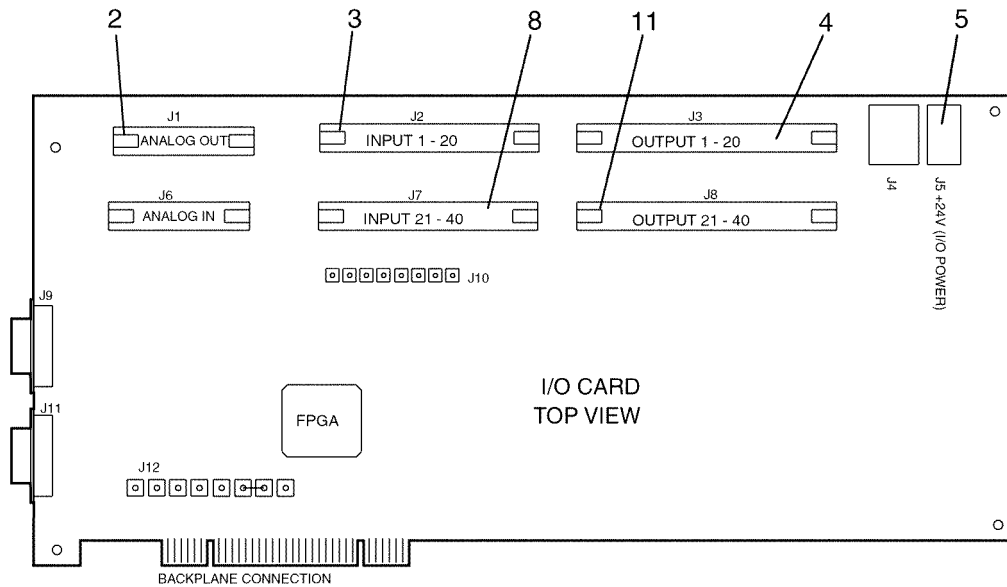
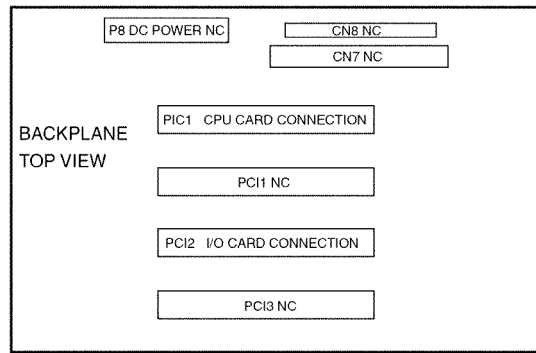
Item Pos.	Qua Ant.	Art.No Art.nr	Description	Benämning	Info Info	Notes Anmärkning
52	1	706068	Earth bar	Jordskena		Specify length in meters
53	1	704602	Sign CHASSI GROUND	Skyllt CHASSI GROUND		
54	1	726078	Filter	Filter		
55	7	737190	Terminal block	Plint		
56	1	737196	End plate	Ändplatta		
57	2	708328	Filter	Filter		
58	3	706043	Connection	Anslutning		5-pole Female
59	1	706051	Connector, male	Kontakt, hane		
60	4	706042	Cover	Kåpa		
61	1	737990	Cable	Kabel		
62						Not used
63						Not used
64	1	737987	Connection box	Kopplingslåda		
65	4	737988	Strain relief	Skintop		
66	4	737989	Jam nut	Kontramutter		
67	1		Cable	Kabel		706685
68	1	726558	Relay	Relä		
69	1	707746	Relay socket, Omron	Socket relä, Omron		



LX560/LX565					Illustration	Issue	Month	Year
LNX CPU complete					Illustration	Utgåva	Månad	År
LNX CPU komplett					2083/2	2	5	2003
Item Pos.	Qua Ant.	Art.No Art.nr	Description	Benämning	Info Info	Notes Anmärkning		
1	1	739583	LNX CPU complete	LNX CPU komplett		Includes item 2-23		
2	1	802870	•Bracket plate	•Fästplåt				
3	1	737903	•CPU-LNX-card	•CPU-LNX-kort				
4	1	745163	•BOOT PROM	•BOOT PROM				
5	1	745164	•Battery	•Batteri		Warta CR2032 3V		
6	1	745165	•Memory card	•Minneskort		Kingston KVR133x64C3/128M, J17		
7	1	737904	•I/O-FPGA-card	•I/O-FPGA-kort				
8	1	737905	•PCI-backplane-card	•PCI bakplankort				
9	2	802929	•Spacer	•Distans				
10	2	737980	•Spacer screw	•Distansskruv				
11	2	705487	•Screw	•Skruv				
12	2	802928	•Spacer	•Distans				
13	2	802930	•Clips	•Clips				
14	2	705523	•Screw	•Skruv				
15	2	726897	•Washer	•Bricka				
16	2	706261	•Screw	•Skruv				
17	4	706567	•Screw	•Skruv				
18	8	737421	•Washer	•Bricka				
19	4	705559	•Nut	•Mutter				
20	1	706274	•Teflon tape	•Teflontejp				
21	1	802887	•Cover	•Skydd				
22	2	706084	•Screw	•Skruv				
23	2	705444	•Washer	•Bricka				
24			Cables	Kablar		See illustr. 1991		



1



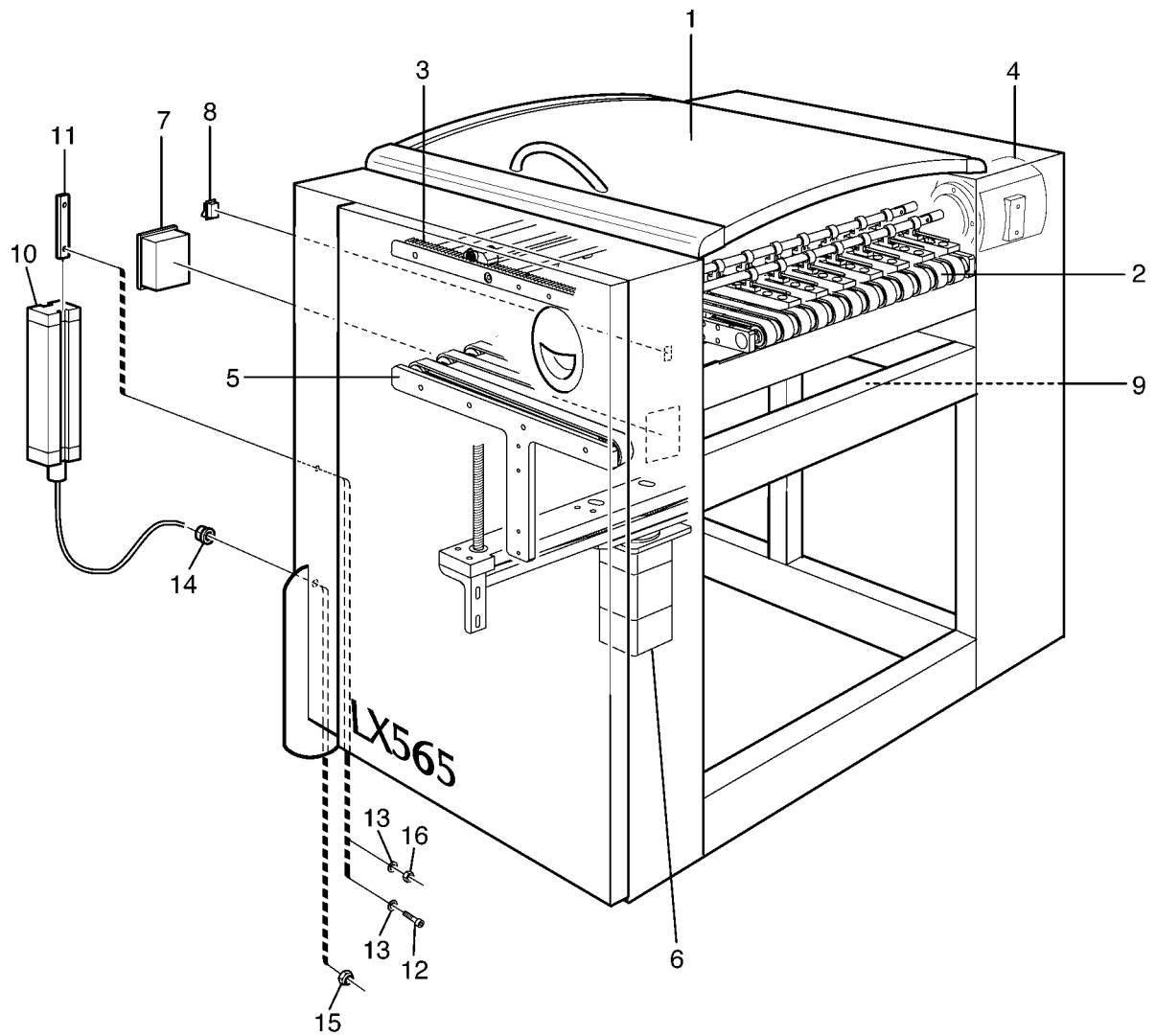
LX560/LX565

Cables LNX CPU

Kablar LNX CPU

Illustration Issue Month Year
Illustration Utgåva Månad År
1991/4 4 12 2005

Item Pos.	Qua Ant.	Art.No Art.nr	Description	Benämning	Info Info	Notes Anmärkning
1	1	739583	LNX CPU complete	LNX CPU komplett		
2	1	739602	Flat cable	Flatkabel		LNX-I/O J1 to X3 in LX560, X3 in LX565
3	1	739600	Flat cable	Flatkabel		LNX-I/O J2 to X4 on LX560
4	1	739601	Flat cable	Flatkabel		LNX-I/O J3 to X6 on LX560
5	1	739613	Wiring	Kablage		J5
6	1	737986	Cable	Kabel		Display-LNX CPU
7	1	739599	Cable	Kabel		LNX-CPU to Mintdrive A1:X6 in LX560
8	1	739603	Flat cable	Flatkabel		LNX-I/O J7 to X5 in LX560, X4 in LX565
9	1	739604	Cable	Kabel		LNX-CPU to Flex+drive A1:X6 in LX565
10	1	739606	Cable	Kabel		LNX-CPU to Flex+drive A3:X6 in LX560
11	1	739605	Flat cable	Flatkabel		LNX-I/O J8 to X5 in LX565



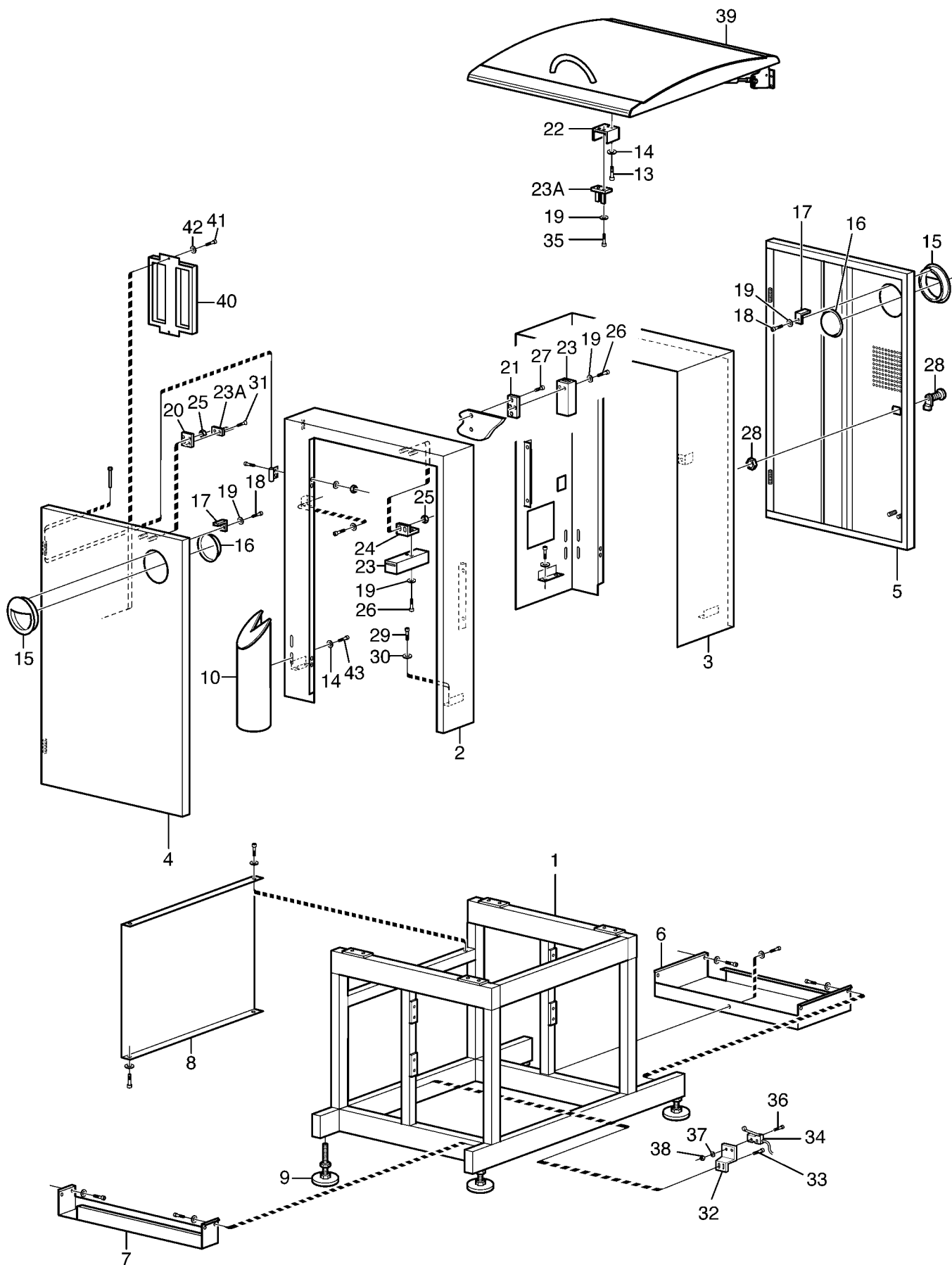
LX560/LX565

Assembly LX565

Sammanställning LX565

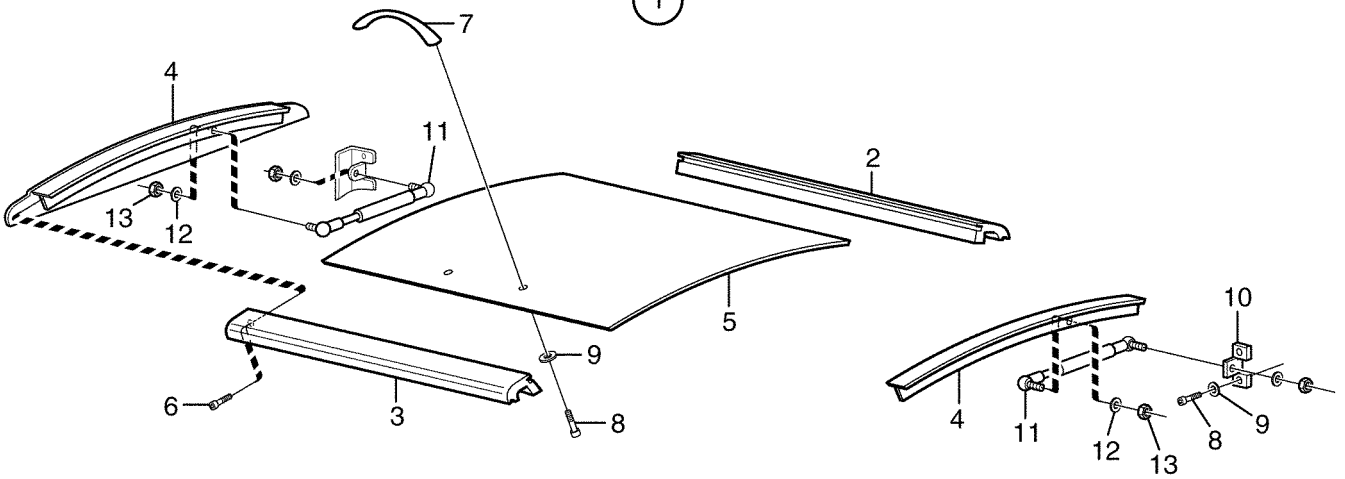
Illustration Issue Month Year
Illustration Utgåva Månad År
1926/4 6 11 2002

Item Pos.	Qua Ant.	Art.No Art.nr	Description	Benämning	Info Info	Notes Anmärkning
1			Covers and doors	Skydd och dörrar		See illustr. 1911
2			Infeed	Inmatning		See illustr. 1918, 2066
3			Frame	Ram		See illustr. 1920, 2077
4			Drive unit	Drivning		See illustr. 1917, 2065
5			Table	Bord		See illustr. 1919, 2078, 2096
6			Elevator	Hiss		See illustr. 1916
7	1	726026	Filter fan	Filterfläkt		
8	1	708671	Main switch	Huvudströmbrytare		
9	1	739539	Electrical cabinet	Elskåp		See illustr. 1935
10	1	745099	Light curtain	Ljusridå		Complete. Up to 01-LX565-23
	1	745197	Light curtain	Ljusridå		Complete with screw bracket From 01-LX565-24
11	2	802787	Nut bracket	Mutterplatta		Up to 01-LX565-23
12	4	705440	Screw	Skruv		Up to 01-LX565-23
13	4	705451	Washer	Bricka		
14	2	737881	Strain relief	Skintop		
15	2	745188	Lock nut	Låsmutter		
16	4	705634	Nut	Mutter		From 01-LX565-24



LX560/LX565					Illustration	Issue	Month	Year
Covers and doors LX565					Illustration	Utgåva	Månad	År
Skydd och dörrar LX565					1911/9	10	12	2004
Item Pos.	Qua Ant.	Art.No Art.nr	Description	Benämning	Info Info	Notes Anmärkning		
1	1	802848	Stand	Stativ		Complete.		
2	1	802469	Cover	Svep		Complete.		
3	1	802466	Cover	Svep		Complete.		
4	1	802460	Door	Dörr		Complete.		
5	1	802459	Door	Dörr		Complete.		
6	1	802471	Bottom plate	Bottenplåt				
7	1	802472	Bottom plate	Bottenplåt				
8	1	802439	Cover	Skydd				
9	4	707577	Machine shoe	Maskinsko				
10	2	802769	Sleeve	Hylsa				
11						Not used		
12						Not used		
13	10	706357	Screw	Skruv				
14	18	705451	Washer	Bricka				
15	2	802767	Handle	Handtag		Outer		
16	2	802768	Handle	Handtag		Inner		
17	8	802751	Lock washer	Låsbricka				
18	8	745225	Screw	Skruv				
19	12	705635	Washer	Bricka				
20	1	802560	Flat rod iron	Plattstång				
21	1	802564	Attachment	Fäste				
22	1	802565	Attachment	Fäste		Upto 041231		
	1	748226	Attachment	Fäste		From 050101		
23	2	726715	Safety switch	Säkerhetsbrytare		Up to 041231, includes item 23A		
	2	745716	Safety switch	Säkerhetsbrytare		From 050101, includes item 23A		
23A	2		Fork	Gaffel		Included in item 23		
24	1	802499	Attachment	Fäste				
25	2	705634	Nut	Mutter				
26	4	708817	Screw	Skruv				
27	2	706026	Screw	Skruv				
28	1	732645	Door lock	Dörrlås				
29	19	706355	Screw	Skruv				
30	19	705021	Washer	Bricka				
31	2	706567	Screw	Skruv				
32	1	802799	Switch bracket	Brytarfäste				
33	2	706286	Screw	Skruv				
34	1	745330	Micro switch	Mikrobrytare				
35	2	706532	Screw	Skruv				
36	2	706213	Screw	Skruv				
37	4	705010	Washer	Bricka				
38	2	705559	Nut	Mutter				
39			Top cover	Topplucka		See illustr. 2024, 2025, 2086		
40	1	802782	Bracket	Hållare				
41	2	706096	Screw	Skruv				
42	2	705451	Washer	Bricka				
43	8	745225	Screw	Skruv				

1



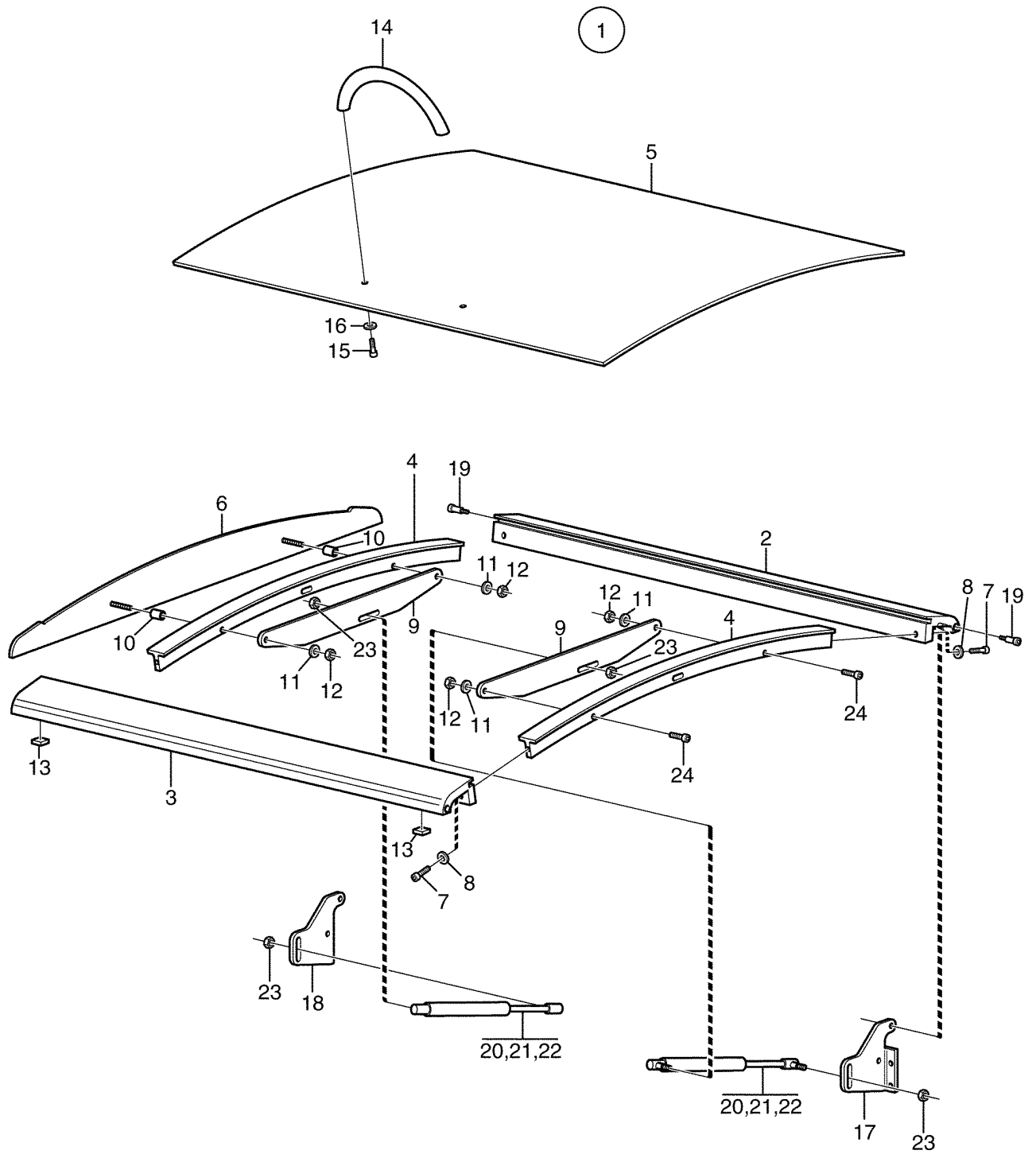
LX560/LX565

Top cover up to 02-LX565-5

Topplock t.o.m 02-LX565-5

Illustration	Issue	Month	Year
Illustration	Utgåva	Månad	År
2024/1	2	3	2002

Item Pos.	Qua Ant.	Art.No Art.nr	Description	Benämning	Info Info	Notes Anmärkning
1	1	802585	Top cover	Topplucka		Complete.
2	1	802583	•Beam	•Balk		
3	1	802586	•Beam	•Balk		
4	2	802587	•Support	•Stag		
5	1	802753	Lid	Lock		
6	4	706194	Screw	Skruv		
7	1	802741	Handle	Handtag		
8	6	706355	Screw	Skruv		
9	6	705021	Washer	Bricka		
10	1	802694	Attachment	Fäste		
11	2	708899	Gas spring	Gasfjäder		
12	3	705015	Washer	Bricka		
13	3	705450	Nut	Mutter		



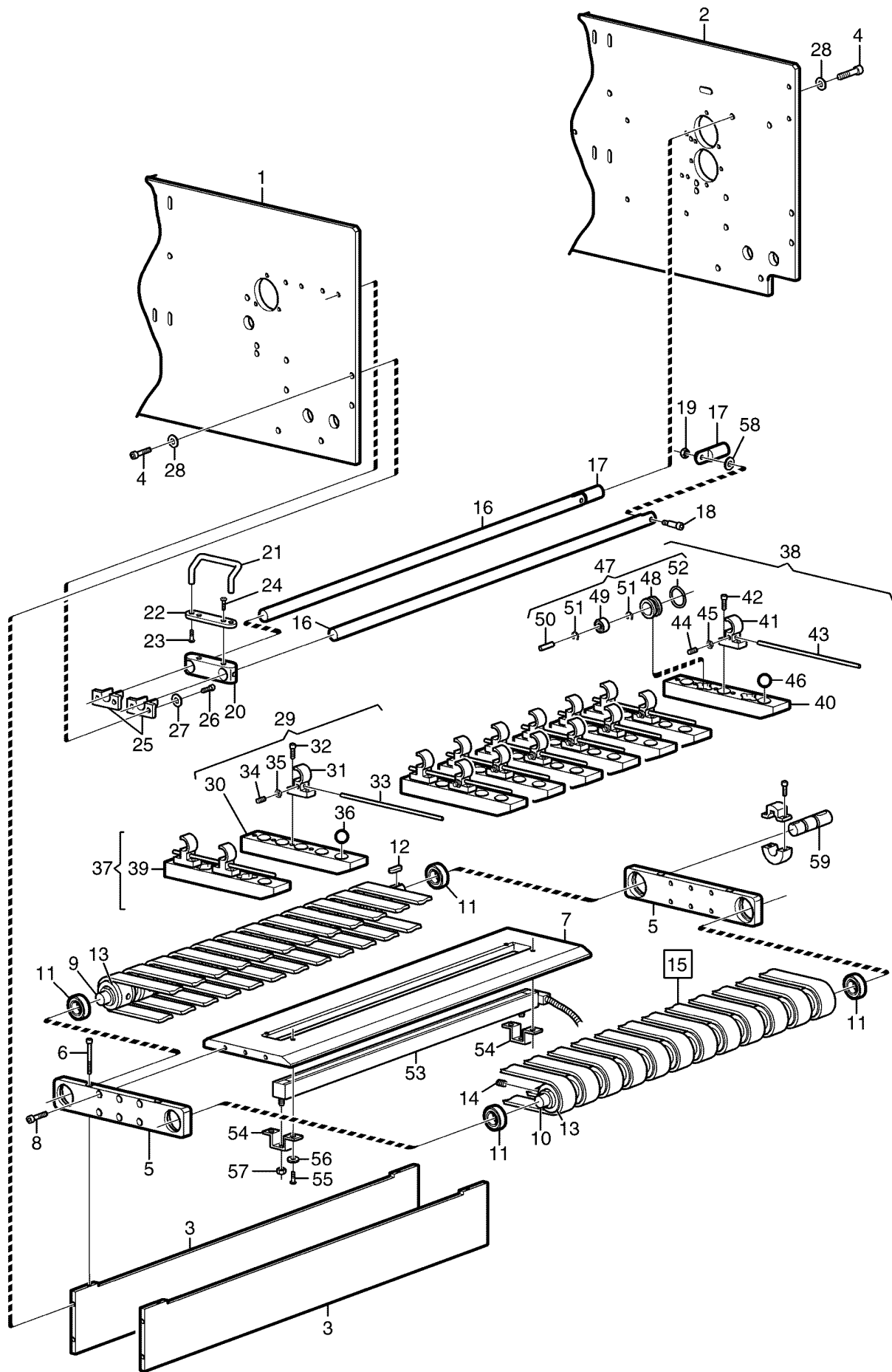
LX560/LX565

Top cover from 02-LX565-6 up to 20

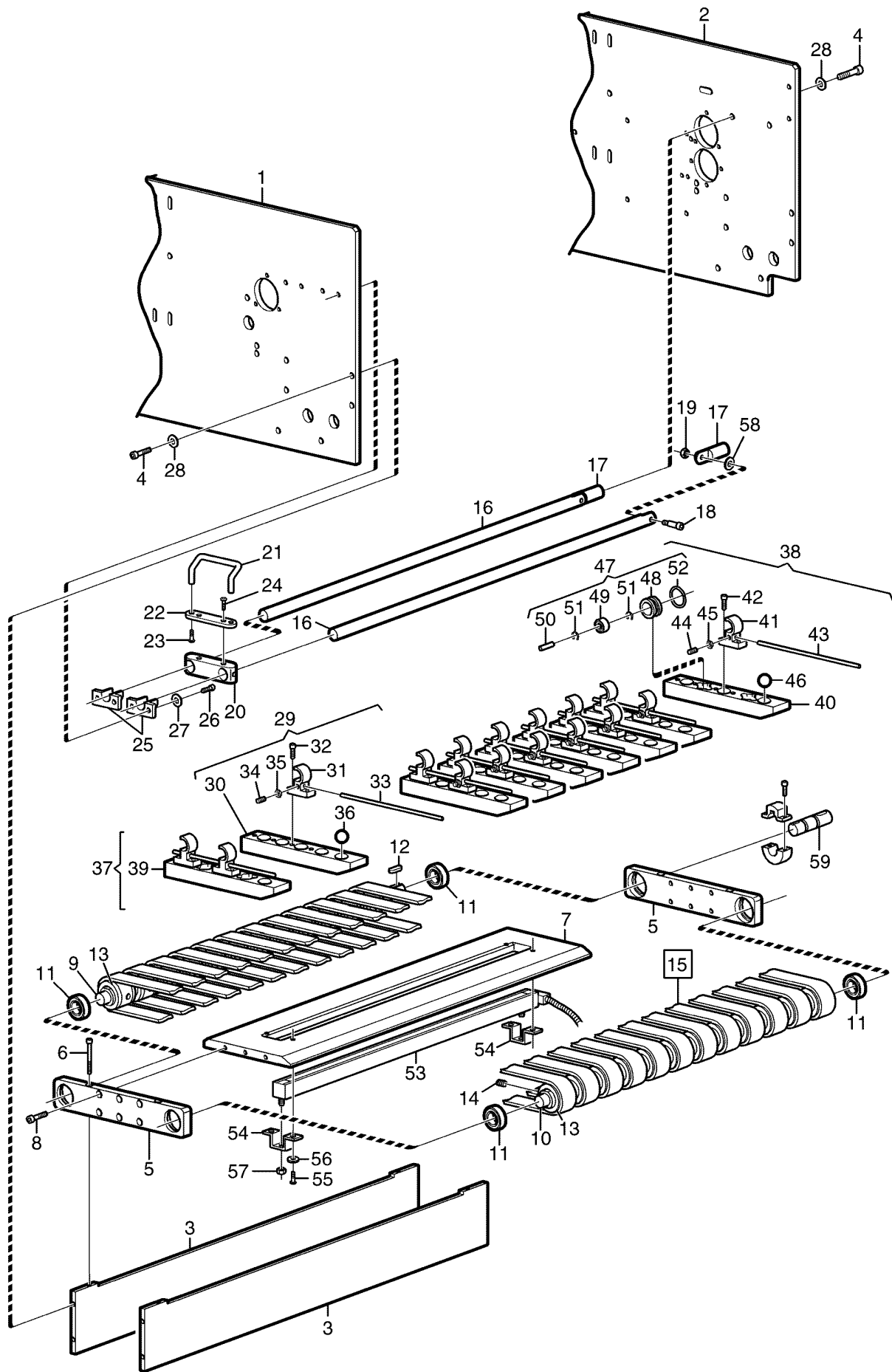
Toplock from 02-LX565-6 t.o.m. 20

Illustration Issue Month Year
Illustration Utgåva Månad År
2025/1 3 10 2002

Item Pos.	Qua Ant.	Art.No Art.nr	Description	Benämning	Info Info	Notes Anmärkning
1	1	802585	Top cover	Topplucka		Complete. Includes item 2-24
2	1	802790	•Beam	•Balk		
3	1	802586	•Beam	•Balk		
4	2	802587	•Support	•Stag		
5	1	802753	•Lid	•Lock		
6	1	802726	•Gable	•Gavel		Complete.
7	4	706194	•Screw	•Skruv		
8	4	705635	•Washer	•Bricka		
9	2	804180	•Plate	•Plåt		
10	2	745207	•Spacer	•Distans		
11	4	705451	•Washer	•Bricka		
12	4	705634	•Nut	•Mutter		
13	2	745208	•Rubber damper	•Gummidämpare		
14	1	802741	•Handle	•Handtag		
15	2	705020	•Screw	•Skruv		
16	2	726701	•Washer	•Bricka		
17	1	802906	•Attachment	•Fäste		Right.
18	1	802907	•Attachment	•Fäste		Left.
19	2	706353	•Fitting bolt	•Passbult		
20	2	745195	•Gas spring	•Gasfjäder		
21	4	737795	•Mounting ball	•Fästkula		
22	4	737794	•Ball coupling	•Kulfattning		
23	4	705450	•Nut	•Mutter		
24	2	705946	•Screw	•Skruv		



LX560/LX565					Illustration	Issue	Month	Year
Infeed up to 01-LX565-28					Illustration	Utgåva	Månad	År
Inmatning t.o.m. 01-LX565-28					1918/2	5	12	2006
Item Pos.	Qua Ant.	Art.No Art.nr	Description	Benämning	Info Info	Notes Anmärkning		
1	1	802533	Gable	Gavel		Left.		
2	1	802532	Gable	Gavel		Right.		
3	2	802506	Spacer	Distans				
4	10	705453	Screw	Skruv				
5	2	802503	Gable	Gavel				
6	4	726711	Screw	Skruv				
7	1	802505	Plate	Platta				
8	6	705453	Screw	Skruv				
9	1	802512	Shaft	Axel				
10	1	802513	Shaft	Axel				
11	4	705201	Ball bearing	Spårkullager				
12	1	707547	Key	Kil				
13	24	727907	Roller	Rulle				
14	24	705431	Stop screw	Stoppskruv				
15	12	737911	Flat belt	Flatrem		L=490		
16	2	802510	Shaft	Axel				
17	2	802509	Shaft	Axel				
18	2	706353	Fitting bolt	Passbult				
19	2	705657	Nut	Mutter				
20	1	802508	Bracket	Hållare				
21	1	708242	Handle	Handtag				
22	1	727425	Plate	Plåt				
23	2	706015	Screw	Skruv				
24	2	706887	Screw	Skruv				
25	2	802507	Bracket	Hållare				
26	4	705946	Screw	Skruv				
27	2	704451	Washer	Bricka				
28	10	705021	Washer	Bricka				
29	7	802682	Ball cage	Kulhållare		Complete. Includes items 30-36		
30	2	802504	•Ball cage	•Kulhållare				
31	14	736755	•Clips	•Clips		Deleted, replaced by 749392		
	14	749392	•Clips	•Clips		Replaces 736755		
32	28	706131	•Screw	•Skruv				
33	7	802511	•Shaft	•Axel				
34	14	737529	•Screw	•Tryckskruv				
35	14	737090	•Nut	•Mutter				
36	21	737265	•Ball	•Kula		Steel		
37	1	802692	Ball cage	Kulhållare		Complete, left. Includes item 39-58		
38	1	802691	Ball cage	Kulhållare		Complete, right. Includes item 39-58		
39	1	802649	•Ball cage	•Kulhållare		Left.		
40	1	802648	•Ball cage	•Kulhållare		Right.		
41	4	736755	•Clips	•Clips		Deleted, replaced by 749392		
	4	749392	•Clips	•Clips		Replaces 736755		
42	8	706131	•Screw	•Skruv				
43	2	802511	•Shaft	•Axel				
44	4	737529	•Screw	•Tryckskruv				
45	4	737090	•Nut	•Mutter				
46	6	737265	•Ball	•Kula		Steel		
47	4	802680	•Wheel	•Hjul		Complete.		
48	4	802650	••Wheel	••Hjul				
49	4	737937	••Ball bearing	••Spårkullager				
50	4	802651	••Shaft	••Axel				
51	8	726444	••C-clamp	••Segersäkkring				
52	4	737166	••O-ring	••O-ring				
53	1	802581	•Antistatic bar	•Antistatstav				
54	2	802545	•Attachment	•Fäste				
55	4	705636	•Screw	•Skruv				



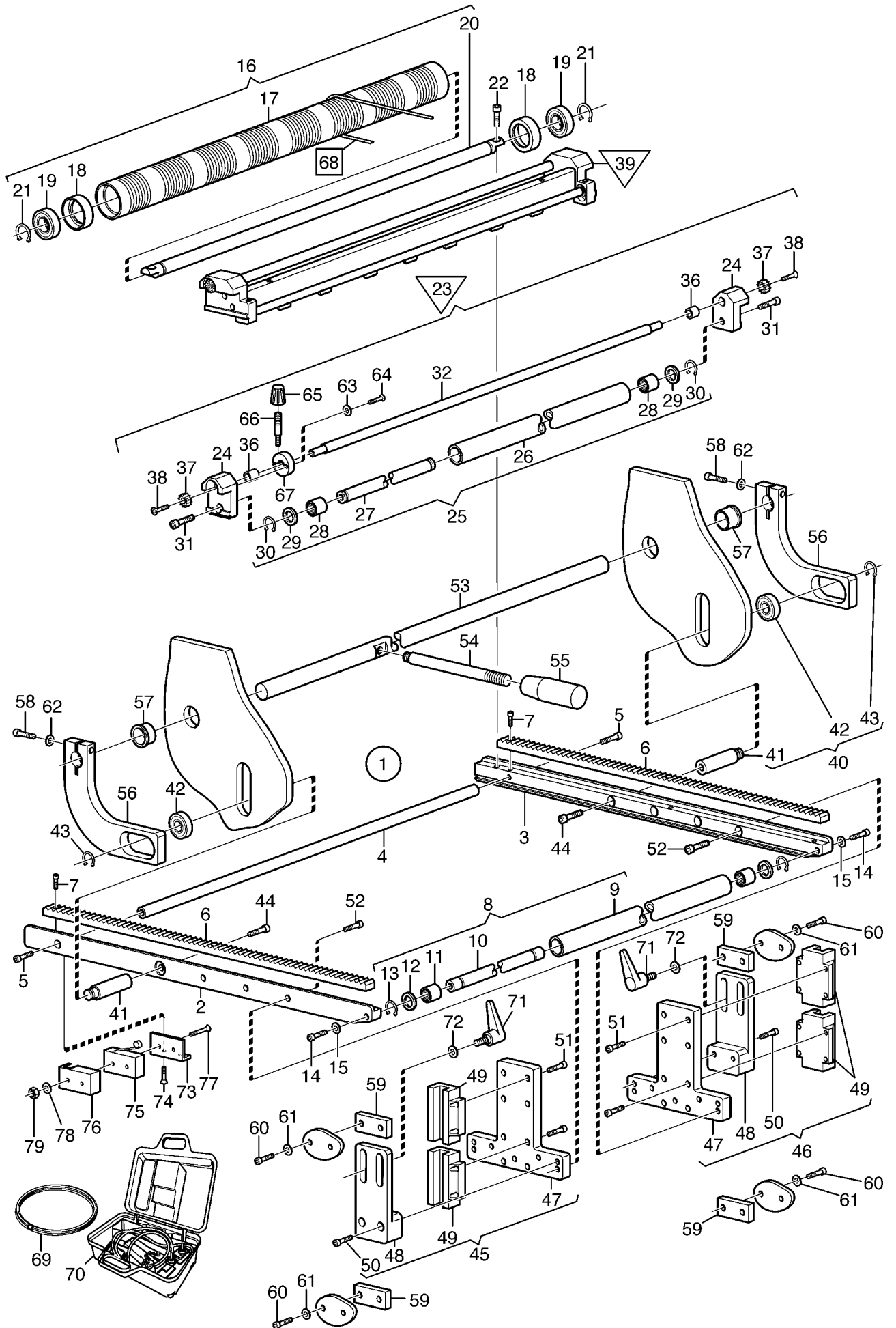
LX560/LX565

Infeed up to 01-LX565-28

Inmatning t.o.m. 01-LX565-28

Illustration	Issue	Month	Year
Illustration	Utgåva	Månad	År
1918/2	5	12	2006

Item Pos.	Qua Ant.	Art.No Art.nr	Description	Benämning	Info Info	Notes Anmärkning
56	4	705635	•Washer	•Bricka		See illustr. 1917
57	2	705559	•Nut	•Mutter		
58	2	708504	Washer	Bricka		
59			Shaft	Axel		



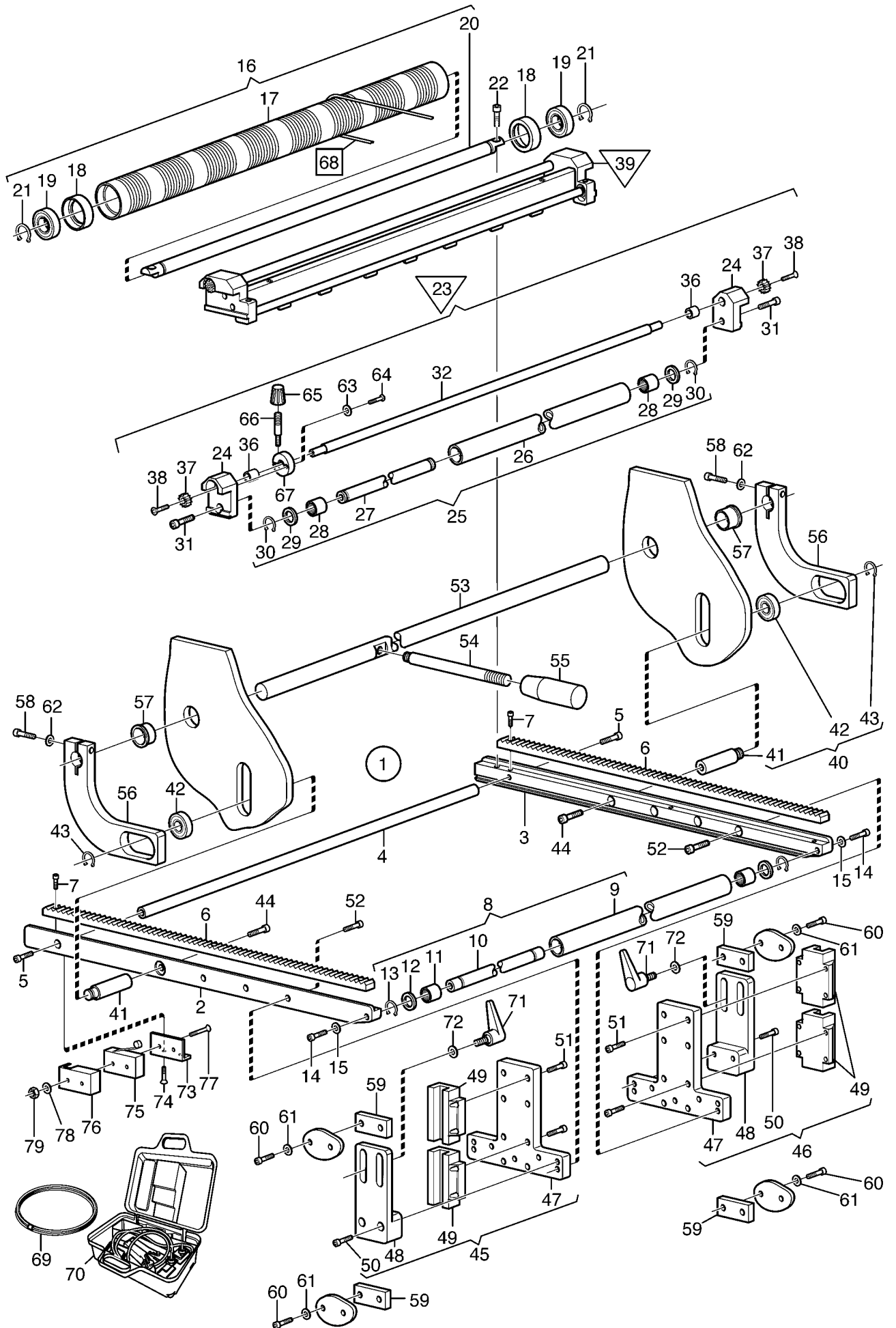
LX560/LX565

Frame up to 01-LX565-28

Ram t.o.m. 01-LX565-28

Illustration Issue Month Year
Illustration Utgåva Månad År
1920/3 5 6 2002

Item Pos.	Qua Ant.	Art.No Art.nr	Description	Benämning	Info Info	Notes Anmärkning
1	1	802592	Frame	Ram		Complete. Includes item 2-68 Left. Right.
2	1	802450	•Gable	•Gavel		
3	1	802415	•Gable	•Gavel		
4	1	802406	•Shaft	•Axel		
5	2	705946	•Screw	•Skruv		
6	2	802418	•Cog rail	•Kuggstång		
7	6	705434	•Screw	•Skruv		
8	1	802412	•Roller	•Rulle		Complete. Includes item 9-13
9	1	802411	••Roller	••Vals		
10	1	802410	••Shaft	••Axel		
11	2	726784	••Needle bearing	••Nållager		
12	2	708195	••Washer	••Bricka		
13	2	705951	••C-clamp	••Segersäkkring		
14	2	705537	•Screw	•Skruv		
15	2	705451	•Washer	•Bricka		Complete. Includes item 17-21
16	1	802401	•Roller	•Vals		
17	1	802402	••Roller	••Vals		
18	2	802403	••Bushing	••Bussning		
19	2	705201	••Ball bearing	••Spårkullager		
20	1	735904	••Shaft	••Axel		
21	2	705455	••C-clamp	••Segersäkkring		
22	2	705440	•Screw	•Skruv		Includes item 24-38
23	1	802588	•Overpart stack	•Överdel stack		
24	2	802437	••Guideblock	••Styrblock		
25	1	802414	••Roller	••Rulle		Complete. Includes item 26-30
26	1	802411	•••Roller	•••Vals		
27	1	802413	•••Shaft	•••Axel		
28	2	726784	•••Needle bearing	•••Nållager		
29	2	708195	•••Washer	•••Bricka		
30	2	705951	•••C-clamp	•••Segersäkkring		Complete. See illustr. 1921 Complete. includes item 41-43
31	2	706096	••Screw	••Skruv		
32	1	802458	••Shaft	••Axel		Not used
33						
34	1	726720	••Washer	••Bricka		
35	1	706871	••Stop ring	••Stoppring		
36	2	737378	••Bearing	••Glidlager		
37	2	802456	••Cog wheel	••Kuggghjul		
38	2	706567	••Screw	••Skruv		
39	1	802589	•Stop	•Stopp		Complete. See illustr. 1921 Complete. includes item 41-43
40	2	802596	•Shaft	•Axel		
41	2	802563	••Shaft	••Axel		
42	2	705209	••Ball bearing	••Spårkullager		
43	2	705951	••C-clamp	••Segersäkkring		
44	2	705946	•Screw	•Skruv		
45	1	802597	•Mounting plate	•Fästplatta		Complete. Includes item 47-51 Complete. Includes item 47-51
46	1	802598	•Mounting plate	•Fästplatta		
47	2	802407	••Spacer	••Distans		
48	2	802408	••Fastener yoke	••Fästok		
49	4	737803	••Rail guide carriage	••Skenstyrningsvagn		Replaced by 745730 Ersätter 737803
	4	745730	••Rail guide carriage	••Skenstyrningsvagn		
50	4	705537	••Screw	••Skruv		
51	16	705946	••Screw	••Skruv		
52	6	706024	•Screw	•Skruv		
53	1	802561	•Shaft	•Axel		
54	1	802733	•Handle	•Handtag		
55	1	737961	•Knob	•Knopp		
56	2	802722	•Arm	•Arm		
57	2	737960	•Bearing	•Lager		
58	2	705979	•Screw	•Skruv		



LX560/LX565

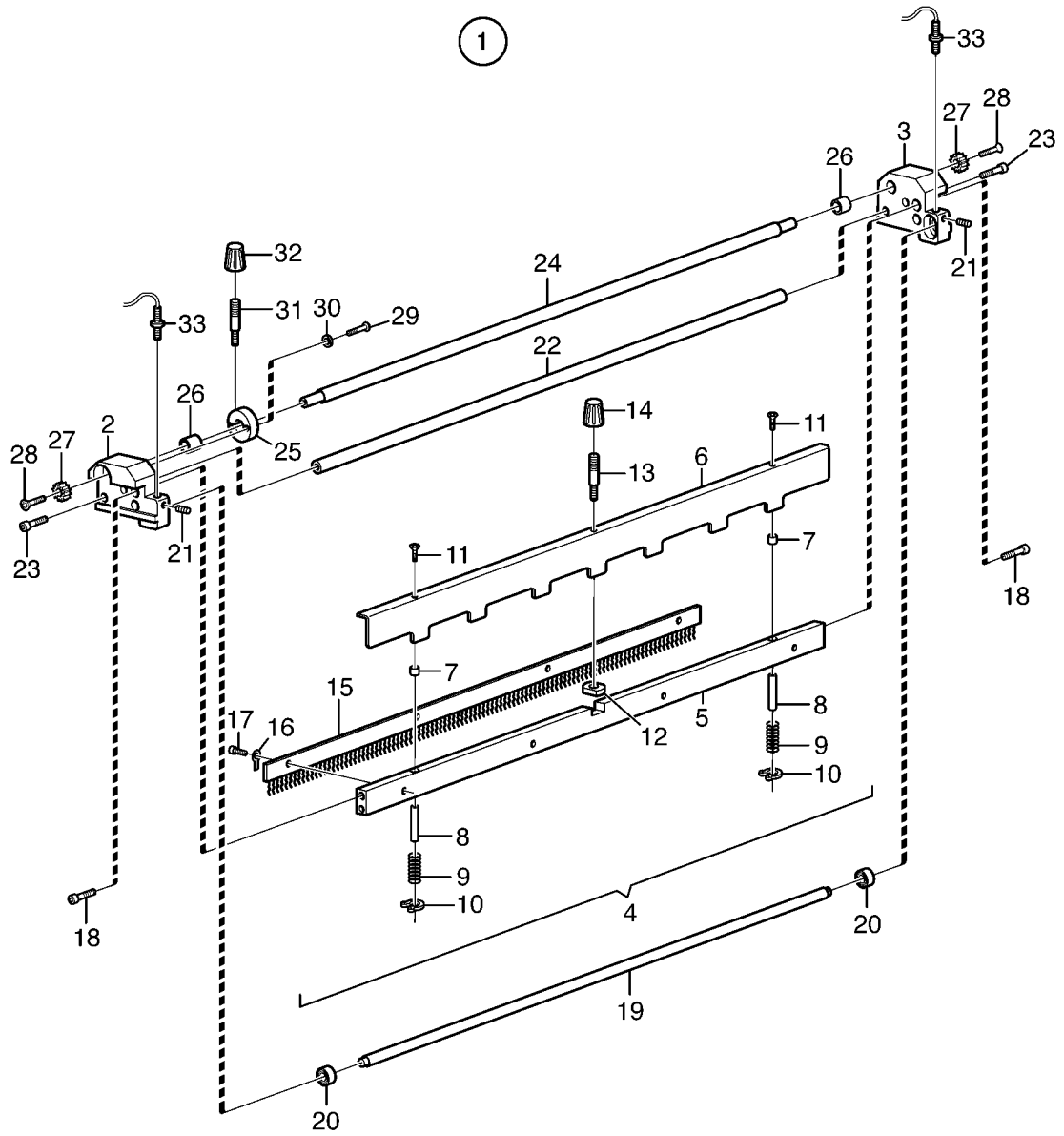
Frame up to 01-LX565-28

Ram t.o.m. 01-LX565-28

Illustration Issue Month Year
Illustration Utgåva Månad År
1920/3 5 6 2002

Item Pos.	Qua Ant.	Art.No Art.nr	Description	Benämning	Info Info	Notes Anmärkning
59	2	802409	•Stud	•Stöd		
60	8	706024	•Screw	•Skruv		
61	8	705451	•Washer	•Bricka		
62	2	705021	•Washer	•Bricka		
63	1	705635	•Washer	•Bricka		
64	1	706539	•Screw	•Skruv		
65	1	737962	•Knob	•Ratt		
66	1	802678	•Shaft	•Axel		
67	1	802676	•Hub	•Klämnav		
68	16	745607	•Round belt	•Rundrem		
69	Rq	745772	Round belt	Rundrem		L=1220 mm GREEN-GO 89A smooth round 3mm Specify length in meters GREEN-GO 89A smooth round 3mm Option
70	1	726881	Hot pressing device	Skarvdon		
71	2	706533	Adjusting lever	Ställbar låsspak		
72	2	707631	Washer	Bricka		
73	1	802798	Switch bracket	Brytarfäste		
74	2	706261	Screw	Skruv		
75	1	705336	Micro switch	Mikrobrytare		
76	1	705610	Housing	Kåpa		
77	2	705486	Screw	Skruv		
78	2	705010	Washer	Bricka		
79	2	705009	Nut	Mutter		

1

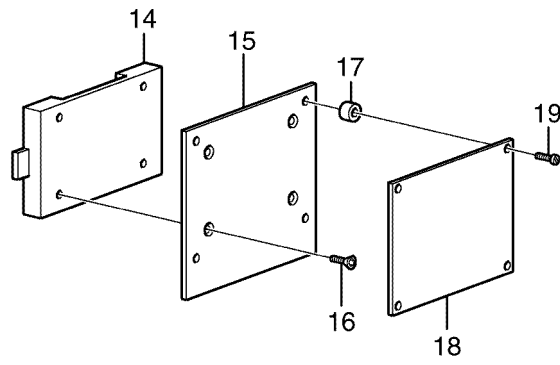


LX560/LX565

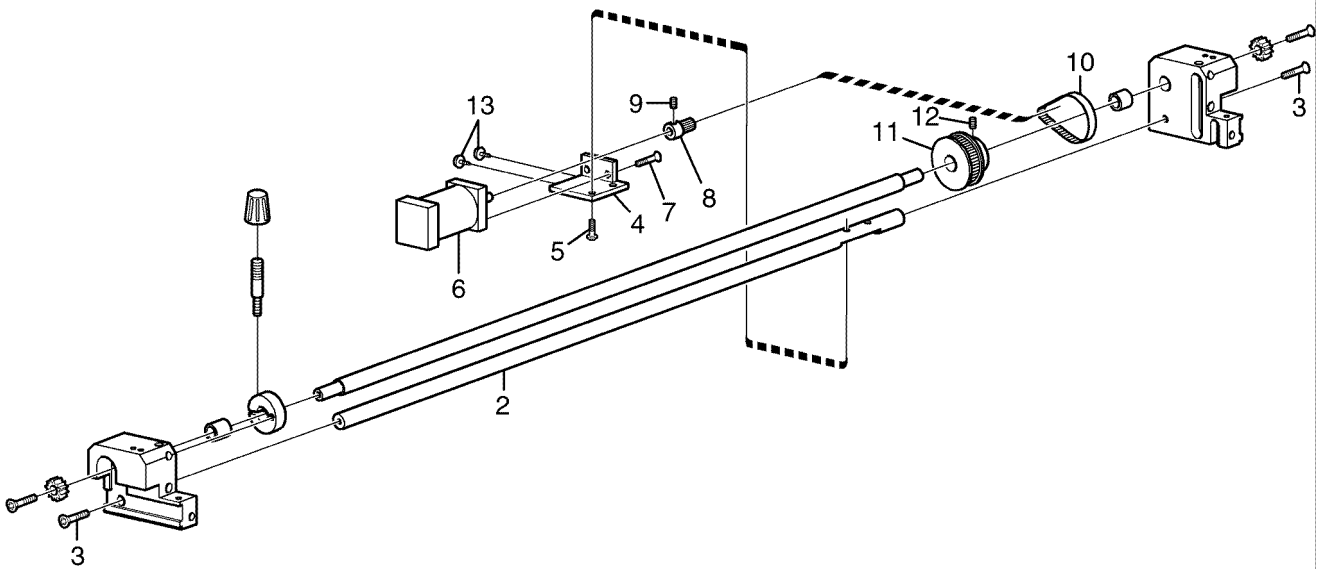
**Stop
Stopp**

Illustration Issue Month Year
Illustration Utgåva Månad År
1921/3 3 2 2004

Item Pos.	Qua Ant.	Art.No Art.nr	Description	Benämning	Info Info	Notes Anmärkning
1	1	802589	Stop	Stopp		Complete. Includes item 2-33
2	1	802470	•Guideblock	•Styrblock		
3	1	802477	•Guideblock	•Styrblock		
4	1	802590	•Stop plate	•Stopplåt		Complete. Includes items 5-17
5	1	802735	••Bracket	••Hållare		
6	1	802491	••Angular element	••Vinkel		
7	2	745042	••Bearing	••Glidlager		
8	2	802492	••Shaft	••Axel		
9	2	737967	••Pressure spring	••Tryckfjäder		
10	2	726444	••C-clamp	••Segersäkkring		
11	2	737117	••Screw	••Skruv		
12	1	802732	••Head	••Klack		
13	1	802734	••Shaft	••Axel		
14	1	737962	••Knob	••Ratt		
15	1	802679	••Brush	••Borste		
16	4	737948	••Clips	••Klammer		
17	4	706286	••Screw	••Skruv		
18	4	705636	•Screw	•Skruv		
19	1	802493	•Shaft	•Axel		
20	2	745043	•Ball bearing	•Spårkullager		
21	2	705539	•Stop screw	•Stoppskruv		
22	1	802675	•Shaft	•Axel		
23	2	706096	•Screw	•Skruv		
24	1	802458	•Shaft	•Axel		
25	1	802676	•Hub	•Klämnäv		
26	2	737378	•Bearing	•Glidlager		
27	2	802456	•Cog wheel	•Kuggghjul		
28	2	706567	•Screw	•Skruv		
29	1	706539	•Screw	•Skruv		
30	1	705635	•Washer	•Bricka		
31	1	802678	•Shaft	•Axel		
32	1	737962	•Knob	•Ratt		
33	2	737856	•Proximity switch	•Induktiv givare		Complete with screws and nuts



1



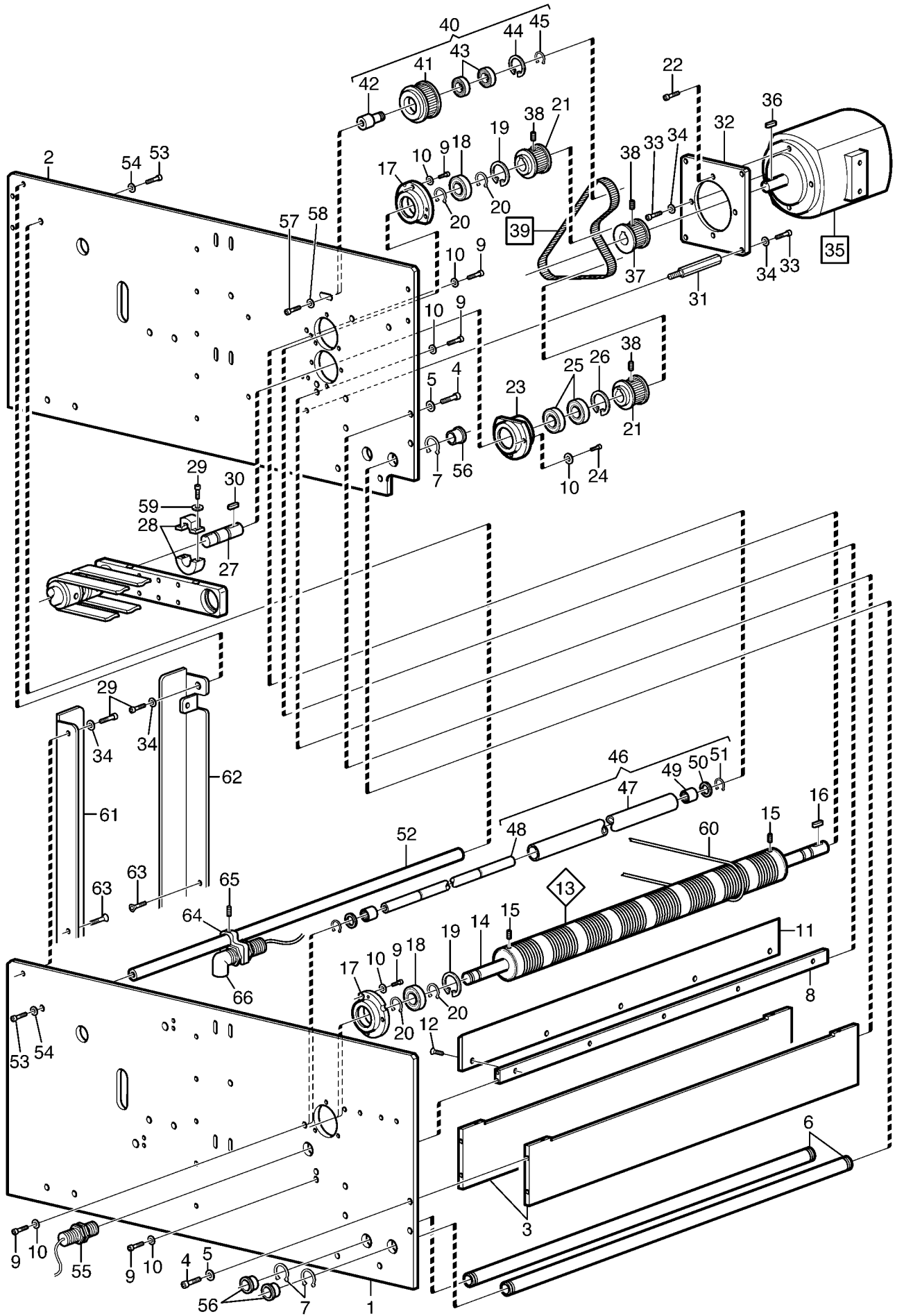
LX560/LX565

UP3i-kit, option

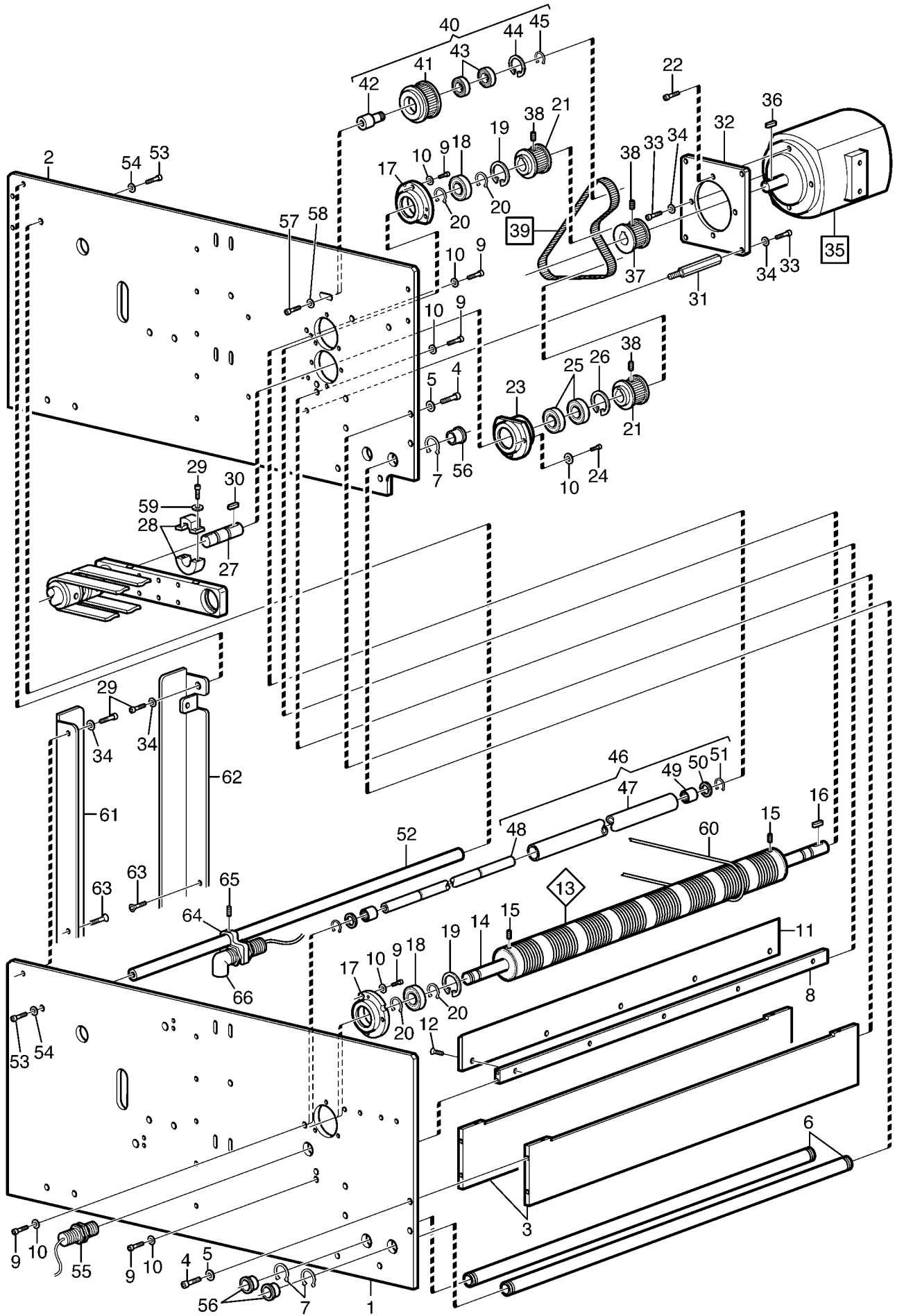
UP3i-kit, option

Illustration Issue Month Year
Illustration Utgåva Månad År
2434/1 1 9 2006

Item Pos.	Qua Ant.	Art.No Art.nr	Description	Benämning	Info Info	Notes Anmärkning
1	1	748103	Stop UP3i	Stopplåt UP3i		Complete. Includes item 2-19
2	1	744952	•Shaft	•Axel		
3	2	706096	•Screw	•Skruv		
4	1	744948	•Motor socket	•Motorfäste		
5	2	706266	•Screw	•Skruv		
6	1	739737	•Motor	•Motor		Complete.
7	2	745450	•Screw	•Skruv		
8	1	748098	•Pulley	•Kuggremshjul		
9	1	705649	•Screw	•Skruv		
10	1	745449	•Cog belt	•Kuggrem		
11	1	748097	•Pulley	•Kuggremshjul		
12	1	705539	•Stop screw	•Stoppskruv		
13	2	745451	•Foot	•Fot		
14	1	707358	•Mounting plate	•Monteringsplatta		
15	1	748101	•Bottom plate	•Bottenplatta		
16	4	706132	•Screw	•Skruv		
17	4	706095	•Distance pipe	•Distansrör		
18	1	745530	•Circuit board	•Kretskort		
19	4	705557	•Screw	•Skruv		



LX560/LX565					Illustration	Issue	Month	Year
Drive unit up to 01-LX565-28					Illustration	Utgåva	Månad	År
Drivning t.o.m. 01-LX565-28					1917/3	5	2	2004
Item Pos.	Qua Ant.	Art.No Art.nr	Description	Benämning	Info Info	Notes Anmärkning		
1	1	802533	Gable	Gavel		Left.		
2	1	802532	Gable	Gavel		Right.		
3	2	802506	Spacer	Distans				
4	10	705446	Screw	Skruv				
5	10	705021	Washer	Bricka				
6	2	802039	Cable duct	Kabelrör				
7	4	705494	C-clamp	Segersäkring				
8	1	802501	Spacer	Distans				
9	11	705946	Screw	Skruv				
10	11	705451	Washer	Bricka				
11	1	802502	Stop plate	Stopplåt				
12	5	705459	Screw	Skruv				
13	1	802404	Roller	Vals				
14	1	735907	Shaft	Axel				
15	2	705431	Stop screw	Stoppskruv				
16	1	707547	Key	Kil				
17	2	735906	Bearing housing	Lagerhus				
18	2	705201	Ball bearing	Spårkullager				
19	2	705722	C-clamp	Segersäkring				
20	4	705455	C-clamp	Segersäkring				
21	2	735285	Pulley	Kuggremshjul				
22	1	706005	Screw	Skruv				
23	1	802514	Bearing housing	Lagerhus				
24	3	705946	Screw	Skruv				
25	2	705201	Ball bearing	Spårkullager				
26	1	705722	C-clamp	Segersäkring				
27	1	802515	Shaft	Axel				
28	1	735258	Connection	Koppling				
29	4	705984	Screw	Skruv				
30	1	707547	Key	Kil				
31	4	726745	Spacer screw	Distansskruv				
32	1	727400	Motor socket	Motorfäste				
33	7	705020	Screw	Skruv				
34	9	705021	Washer	Bricka				
35	1	707248	Motor	Motor				
36	1	707547	Key	Kil				
37	1	735293	Pulley	Kuggremshjul				
38	3	705431	Stop screw	Stoppskruv				
39	1	737514	Cog belt	Kuggrem				
40	1	802594	Wheel	Hjul		Complete. Includes item 41-45		
41	1	735382	•Pulley	•Kuggremshjul				
42	1	735294	•Shaft	•Axel				
43	2	705211	•Ball bearing	•Spårkullager				
44	1	705723	•C-clamp	•Segersäkring				
45	1	705561	•C-clamp	•Segersäkring				
46	1	802416	Roller	Rulle		Complete. Includes item 47-51		
47	1	802411	•Roller	•Vals				
48	1	802417	•Shaft	•Axel				
49	2	726784	•Needle bearing	•Nållager				
50	2	708195	•Washer	•Bricka				
51	2	705951	•C-clamp	•Segersäkring				
52	1	802535	Spacer	Distans				
53	2	705453	Screw	Skruv				
54	2	705021	Washer	Bricka				
55	1	706035	Photocell	Fotocell				
56	4	706697	Cable inlet	Kabelgenomföring				
57	1	705020	Screw	Skruv				
58	1	705021	Washer	Bricka				
59	2	705451	Washer	Bricka				



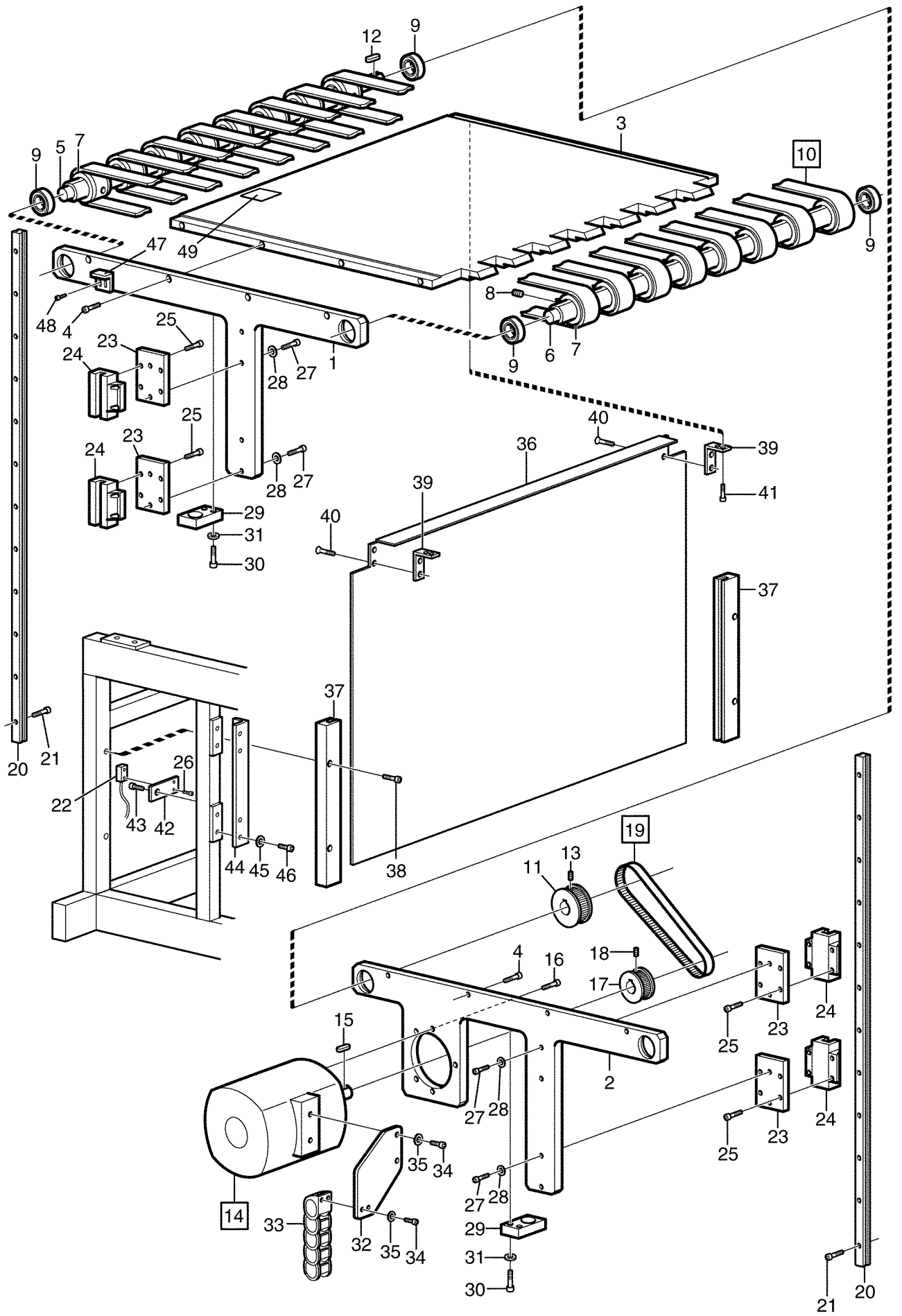
LX560/LX565

Drive unit up to 01-LX565-28

Drivning t.o.m. 01-LX565-28

Illustration	Issue	Month	Year
Illustration	Utgåva	Månad	År
1917/3	5	2	2004

Item Pos.	Qua Ant.	Art.No Art.nr	Description	Benämning	Info Info	Notes Anmärkning
60			Round belt	Rundrem		See illustr. 1920
61	1	802729	Angle bracket	Vinkelfäste		
62	1	802728	Angle bracket	Vinkelfäste		
63	2	706268	Screw	Skruv		
64	1	802888	Photocell bracket	Fotocell fäste		
65	1	705431	Stop screw	Stoppskruv		
66	1	706074	Photocell	Fotocell		



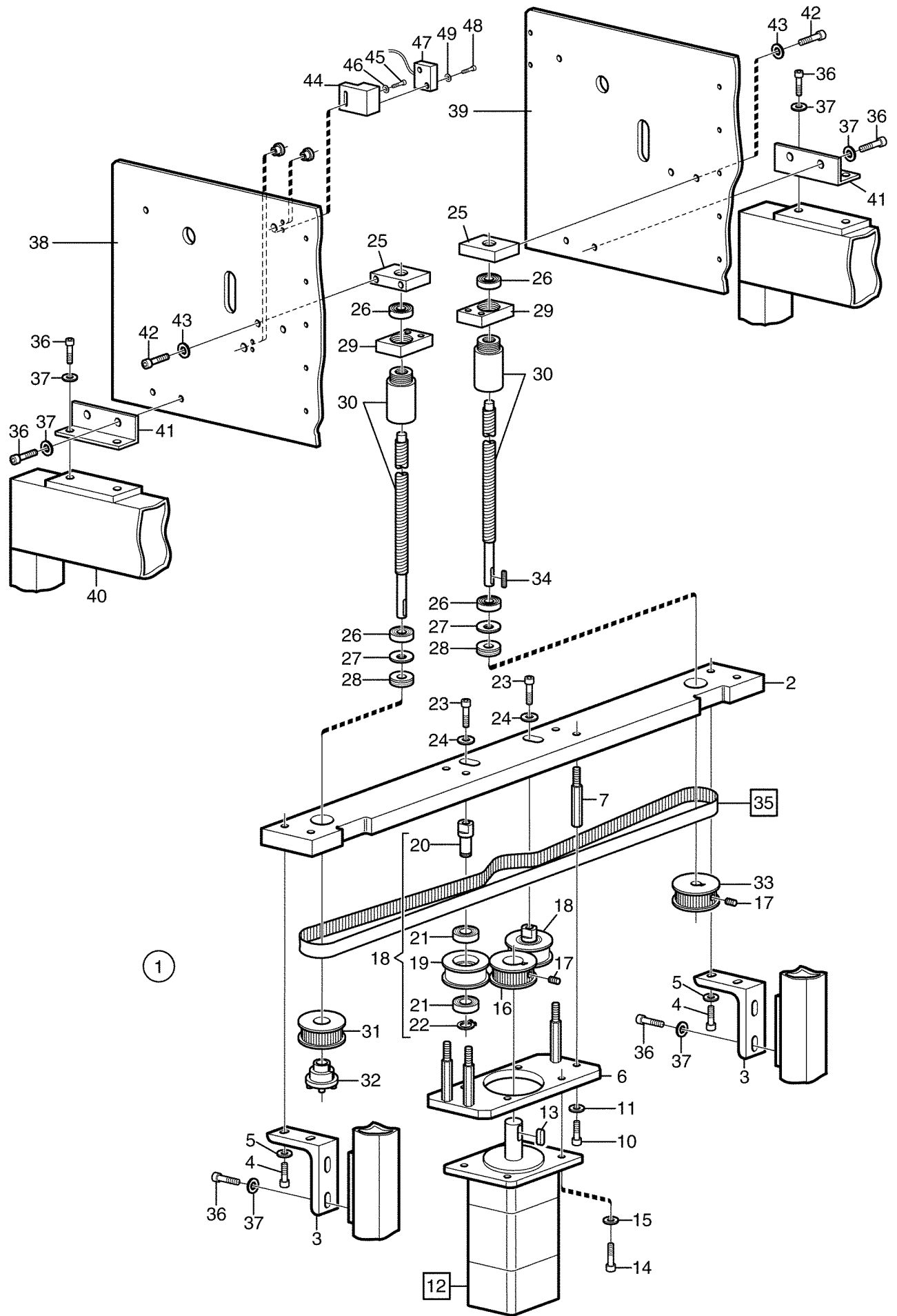
LX560/LX565

Table up to 01-LX565-28

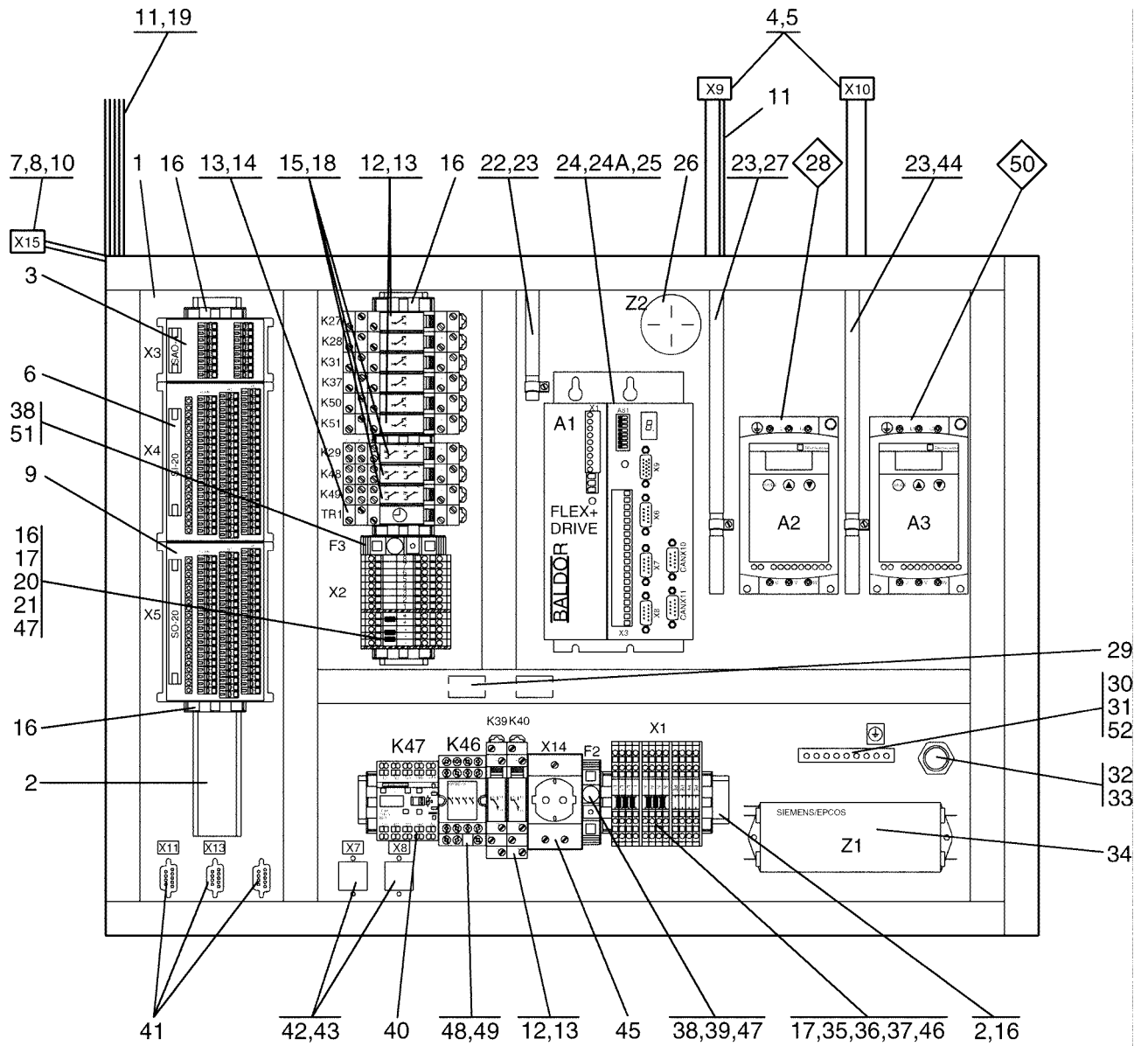
Bord t.o.m. 01-LX565-28

Illustration Issue Month Year
Illustration Utgåva Månad År
1919/3 5 12 2003

Item Pos.	Qua Ant.	Art.No Art.nr	Description	Benämning	Info Info	Notes Anmärkning
1	1	802517	Gable	Gavel		Left.
2	1	802516	Gable	Gavel		Right.
3	1	802522	Bottom plate	Bottenplåt		
4	8	705946	Screw	Skruv		
5	1	802520	Shaft	Axel		
6	1	802521	Shaft	Axel		
7	16	727907	Roller	Rulle		
8	16	705431	Stop screw	Stoppskruv		
9	4	705201	Ball bearing	Spårkullager		
10	8	737913	Flat belt	Flatrem		L=1148
11	1	802524	Pulley	Kuggremshjul		
12	1	707547	Key	Kil		
13	1	705431	Stop screw	Stoppskruv		
14	1	707248	Motor	Motor		
15	1	707547	Key	Kil		
16	5	705537	Screw	Skruv		
17	1	735293	Pulley	Kuggremshjul		
18	1	705431	Stop screw	Stoppskruv		
19	1	737912	Cog belt	Kuggrem		
20	2	802338	Rail guide	Skenstyrning		
21	24	706539	Screw	Skruv		
22	1	745861	Photocell	Fotocell		
23	4	727902	Attachment	Fäste		
24	4	737803	Rail guide carriage	Skenstyrningsvagn		Replaced by 745730
	4	745730	Rail guide carriage	Skenstyrningsvagn		Ersätter 737803
25	16	705946	Screw	Skruv		
26	2		Screw	Skruv		Included in item 22
27	8	705537	Screw	Skruv		
28	8	705451	Washer	Bricka		
29	2	802552	Bearing housing	Lagerhus		
30	4	705467	Screw	Skruv		
31	4	705021	Washer	Bricka		
32	1	802570	Cable retainer	Kabelhållare		
33	1	745091	Cable chain	Kabelkedja		
34	4	705463	Screw	Skruv		
35	4	705021	Washer	Bricka		
36	1	802569	Front panel	Frontplåt		
37	2	802601	Slide bar	Glidskena		
38	4	705946	Screw	Skruv		
39	2	802653	Angle bracket	Vinkelfäste		
40	4	706015	Screw	Skruv		
41	4	706096	Screw	Skruv		
42	1	802559	Sensor bracket	Givarfäste		
43	1	705452	Screw	Skruv		
44	2	802817	Angle bracket	Vinkelfäste		
45	8	705015	Washer	Bricka		
46	8	705462	Screw	Skruv		
47	1	802797	Switch bracket	Brytarfäste		
48	2	706286	Screw	Skruv		
49	1	802730	Reflecting tape	Reflextejp		



LX560/LX565					Illustration	Issue	Month	Year
Elevator					Illustration	Utgåva	Månad	År
Hiss					1916/4	4	11	2002
Item Pos.	Qua Ant.	Art.No Art.nr	Description	Benämning	Info Info	Notes Anmärkning		
1	1	802578	Beam	Hissbalk		Complete. Includes item 2-35		
2	1	802526	•Attachment	•Fäste				
3	2	802568	•Angle bracket	•Vinkelfäste				
4	4	705006	•Screw	•Skruv				
5	4	705015	•Washer	•Bricka				
6	1	802530	•Motor socket	•Motorfäste				
7	4	726745	•Spacer screw	•Distansskruv				
8						Not used		
9						Not used		
10	4	705453	•Screw	•Skruv				
11	4	705021	•Washer	•Bricka				
12	1	737991	•Servo motor	•Servomotor				
13	1		•Key	•Kil		With motor		
14	4	705453	•Screw	•Skruv				
15	4	705021	•Washer	•Bricka				
16	1	802529	•Pulley	•Kuggremshjul				
17	2	705441	•Stop screw	•Stoppsskruv				
18	2	802577	•Wheel	•Hjul		Complete. Includes item 19-22		
19	2	735273	••Wheel	••Hjul				
20	2	802527	••Shaft pivot	••Axeltapp				
21	4	705209	••Ball bearing	••Spårkullager				
22	2	705951	••C-clamp	••Segersåkring				
23	2	705006	•Screw	•Skruv				
24	2	705015	•Washer	•Bricka				
25	2	802531	•Bearing housing	•Lagerhus				
26	4	705211	•Ball bearing	•Spårkullager				
27	2	708196	•Washer	•Bricka				
28	2	737935	•Bearing	•Axialkullager				
29	2	802552	•Bearing housing	•Lagerhus				
30	2	802422	•Rolled thread ball screw	•Kulskruv		Complete.		
31	1	802420	•Pulley	•Kuggremshjul				
32	1	737916	•Connection	•Koppling				
33	1	802528	•Pulley	•Kuggremshjul				
34	1	706566	•Key	•Kil				
35	1	737914	•Cog belt	•Kuggrem				
36	16	705462	Screw	Skruv				
37	16	705015	Washer	Bricka				
38	1	802533	Gable	Gavel		Left.		
39	1	802532	Gable	Gavel		Right.		
40	1	802848	Stand	Stativ				
41	4	802567	Angle bracket	Vinkelfäste				
42	4	705006	Screw	Skruv				
43	4	705015	Washer	Bricka				
44	1	802558	Sensor bracket	Givarfäste				
45	2	705636	Screw	Skruv				
46	2	705635	Washer	Bricka				
47	1	706003	Proximity switch	Induktiv givare				
48	2	706213	Screw	Skruv				
49	2	705010	Washer	Bricka				



LX560/LX565					Illustration	Issue	Month	Year
EI-cabinet No. 739539					Illustration	Utgåva	Månad	År
EI-skåp nr. 739539					1935/5	8	11	2005
Item Pos.	Qua Ant.	Art.No Art.nr	Description	Benämning	Info Info	Notes Anmärkning		
1	1	802818	Mounting plate	Monteringsplåt				
2	Rq	706225	Din-bar	Din-skena		Specify length in meters		
3	1	737910	SAO-card	SAO-kort				
4	2	707181	Connection	Anslutning		9-polig Male		
5	10	705998	Contact socket	Hylskontakt				
6	1	737907	SI-card	SI-kort				
7	1	737072	Connection	Anslutning		5-pole Female		
8	5	706278	Peg	Stift				
9	1	737908	SO-card	SO-kort				
10	Rq	706098	Cable	Kabel		5-pole Specify length in meters		
11	Rq	706001	Cable	Kabel		2-pole Specify length in meters		
12	8	726037	Relay	Relä				
13	9	707744	Relay socket, Omron	Socket relä, Omron				
14	1	726820	Time off delay	Tidrelä				
15	3	726558	Relay	Relä				
16	7	737198	End support	Ändstöd				
17	9	737199	Jumper	Överkoppling				
18	3	707746	Relay socket, Omron	Socket relä, Omron				
19	Rq	737626	Cable	Kabel		2-pole Specify length in meters		
20	13	737190	Terminal block	Plint				
21	2	737196	End plate	Ändplatta				
22	1	737990	Cable	Kabel				
23	3	737536	Screw terminal	Skruvklammer				
24	1	739629	Flexdrive 5A res. spare part	Flexdrive 5A resolver res.del		Replaced by 745673		
	1	745673	Flex+drive II, 5A	Flex+drive II, 5A		Replaces 739629		
24A	1	745792	Adapter	Adapter		For 745673		
25	1	737956	Cable	Kabel		Complete.		
26	1	708328	Filter	Filter				
27	Rq	726055	Cable	Kabel		4-pole Specify length in meters		
28	1	739712	Frequence inverter	Frekvensstyrning		0,37kW Unprogrammed Altivar 11		
29	2	706320	Noise protection	RC-nät				
30	Rq	706068	Earth bar	Jordskena		Specify length in meters		
31	1	704602	Sign CHASSI GROUND	Skyllt CHASSI GROUND				
32	1	706718	Strain relief	Skintop				
33	1	706852	Jam nut	Kontramutter				
34	1	726078	Filter	Filter				
35	4	737194	Terminal block	Plint				
36	3	737197	End plate	Ändplatta				
37	1	706725	Varistor	Varistor				
38	2	737200	Terminal block fuse	Plintsäkkring				
39	1	707666	Fuse	Säkkring		4A		
40	1	737922	Contacto	Kontaktor				
41	3	707659	Connection	Anslutning		9-pole Female		
42	2	706044	Connection	Anslutning		4-pole Female		
43	2	706042	Cover	Kåpa				
44	Rq	737562	Cable	Kabel		Specify length in meters		
45	1	708561	Power outlet	Strömutttag				
46	8	737191	Terminal block	Plint		2+2		
47	2	737201	End plate	Ändplatta				
48	1	737926	Relay	Relä				
49	1	737927	Relay holder	Relähållare				
50	1	739627	ATV08 LX565 outfeed spare part	ATV08 LX565 outfeed res.del				
	1	739712	Frequence inverter	Frekvensstyrning		0,37kW Unprogrammed Altivar 11		
51	1	745101	Fuse	Säkkring		1,5 A Fast 6 x 32		
52	1	745196	Screw	Skruv				

Numerical index/Nummerregister

Art.No/Art.nr	Page/Sida	Art.No/Art.nr	Page/Sida	Art.No/Art.nr	Page/Sida	Art.No/Art.nr	Page/Sida
703938	13	705211	93	705500	55	705946	33
704451	75	705336	13	705523	63	705946	37
704602	61	705336	81	705537	11	705946	39
704602	95	705337	15	705537	37	705946	53
704617	23	705431	75	705537	45	705946	55
704618	23	705431	87	705537	47	705946	73
704735	59	705431	89	705537	51	705946	75
705006	53	705431	91	705537	79	705946	79
705006	55	705434	13	705537	91	705946	87
705006	93	705434	79	705539	35	705946	91
705009	13	705439	27	705539	39	705951	21
705009	81	705439	45	705539	83	705951	25
705010	13	705439	47	705539	85	705951	37
705010*	29	705440	33	705557	29	705951	79
705010	69	705440	39	705557	85	705951	87
705010	81	705440	55	705559	17	705951	93
705010	93	705440	67	705559	29	705952	33
705013	53	705440	79	705559	63	705952	39
705015	19	705441	93	705559	69	705979	79
705015	41	705443	43	705559	77	705984	13
705015	55	705443	49	705561	33	705984	87
705015	71	705444	63	705561	43	705989	43
705015	91	705446	87	705561	87	705998	95
705015	93	705450	19	705564	25	706001	95
705017	13	705450	71	705564	27	706003	29
705017	39	705450	73	705610	13	706003	93
705017	41	705451	13	705610	81	706005	87
705017	53	705451	15	705630	13	706015	33
705017	55	705451	23	705630	53	706015	45
705020	15	705451	29	705634	15	706015	47
705020	17	705451	37	705634	37	706015	55
705020	33	705451	39	705634	67	706015	75
705020	73	705451	55	705634	69	706015	91
705020	87	705451	67	705634	73	706016	49
705021	13	705451	69	705635	13	706016	55
705021	15	705451	73	705635	15	706017	25
705021	17	705451	79	705635	17	706017	27
705021	19	705451	81	705635	23	706017	43
705021	23	705451	87	705635	29	706017	55
705021	25	705451	91	705635	37	706022	29
705021	33	705452	27	705635	69	706024	15
705021	37	705452	91	705635	73	706024	23
705021	39	705453	25	705635	77	706024	29
705021	69	705453	33	705635	81	706024	37
705021	71	705453	37	705635	83	706024	45
705021	75	705453	39	705635	93	706024	47
705021	81	705453	41	705636	15	706024	51
705021	87	705453	53	705636	29	706024	79
705021	91	705453	75	705636	37	706024	81
705021	93	705453	87	705636	47	706026	15
705096	55	705453	93	705636	75	706026	69
705137	55	705455	23	705636	83	706035	29
705201	33	705455	79	705636	93	706035	33
705201	39	705455	87	705638	13	706035	87
705201	75	705458	55	705638	29	706042	61
705201	79	705459	87	705645	45	706042	95
705201	87	705462	91	705645	51	706043	61
705201	91	705462	93	705649	29	706044	95
705209	45	705463	91	705649	43	706051	61
705209	47	705467	27	705649	85	706068	61
705209	79	705467	91	705657	75	706068	95
705209	93	705486	81	705722	87	706074	13
705211	33	705487	63	705723	87	706074	15
705211	35	705494	17	705945	33	706074	89
705211	39	705494	87	705946	21	706075	13
705211	87	705500	13	705946	27	706084	63

Numerical index/Nummerregister

Art.No/Art.nr	Page/Sida	Art.No/Art.nr	Page/Sida	Art.No/Art.nr	Page/Sida	Art.No/Art.nr	Page/Sida
706095	85	706533	81	708196	55	726756	33
706096	13	706539	43	708196	93	726773	55
706096	43	706539	53	708206	39	726774	55
706096	45	706539	81	708242	33	726784	79
706096	47	706539	83	708242	75	726784	87
706096	49	706539	91	708328	61	726798	33
706096	69	706540	39	708328	95	726805	55
706096	79	706549	45	708456	55	726811	27
706096	83	706566	93	708504	77	726820	59
706096	85	706567	15	708561	95	726820	95
706096	91	706567	63	708609	35	726821	59
706098	95	706567	69	708624	53	726823	53
706130	17	706567	79	708671	15	726837	43
706131	75	706567	83	708671	67	726869	25
706132	51	706614	33	708707	59	726869	27
706132	55	706614	35	708817	15	726881	81
706132	85	706632	29	708817	55	726897	63
706133	33	706697	17	708817	69	726936	29
706134	29	706697	87	708838	13	726936	51
706194	19	706718	59	708875	49	727110	33
706194	23	706718	95	708899	19	727111	33
706194	49	706725	59	708899	71	727113	33
706194	71	706725	95	708909	59	727201	39
706194	73	706726	15	708920	43	727299	33
706213*	31	706846	17	708921	43	727316	33
706213	69	706852	59	708928	43	727400	39
706213	93	706852	95	708953	15	727400	87
706225	59	706871	79	724395	21	727425	33
706225	95	706887	33	726026	15	727425	75
706240	33	706887	75	726026	67	727507	13
706240	39	707181	95	726037	59	727509	13
706261	63	707248	41	726037	95	727533	37
706261	81	707248	87	726055	59	727534	37
706266	13	707248	91	726055	95	727539	37
706266	25	707265	25	726078	61	727540	37
706266	27	707318	55	726078	95	727541	37
706266	29	707358	85	726209	33	727542	37
706266	33	707427	59	726240	17	727543	37
706266	37	707442	25	726241	17	727563	23
706266	39	707446	55	726243	17	727699	23
706266	53	707543	11	726244	17	727902	91
706266	85	707543	33	726346	59	727907	75
706268	89	707547	75	726367	17	727907	91
706274	63	707547	87	726444	75	732645	15
706278	95	707547	91	726444	83	732645	69
706286	23	707555	51	726558	61	732801	15
706286	29	707555	55	726558	95	732824	15
706286	51	707577	15	726579	11	735102	55
706286	69	707577	69	726653	39	735103	55
706286	83	707611	29	726690	45	735180	33
706286	91	707631	81	726690	47	735258	87
706320	95	707659	95	726690	51	735273	93
706353	73	707666	59	726698	53	735285	39
706353	75	707666	95	726701	73	735285	87
706355	15	707744	59	726711	75	735293	87
706355	19	707744	95	726715	15	735293	91
706355	69	707746	61	726715	55	735294	87
706355	71	707746	95	726715	69	735382	33
706357	11	707829	13	726720	35	735382	87
706357	15	708057	39	726720	79	735904	79
706357	23	708156	29	726742	53	735906	87
706357	69	708182	59	726743	37	735907	87
706483	15	708191	39	726745	33	736063	33
706532	13	708195	23	726745	41	736065	33
706532	43	708195	79	726745	87	736162	13
706532	69	708195	87	726745	93	736176	25

Numerical index/Nummerregister

Art.No/Art.nr	Page/Sida	Art.No/Art.nr	Page/Sida	Art.No/Art.nr	Page/Sida	Art.No/Art.nr	Page/Sida
736755	75	737536	59	737883	27	739583	65
737067	29	737536	95	737887	35	739598	57
737067	33	737559	27	737888	39	739599	65
737069	35	737562	95	737892	39	739600	65
737069	39	737605	25	737893	29	739601	65
737072	95	737605	27	737894	29	739602	65
737090	75	737626	95	737895	53	739603	65
737117	55	737634	45	737896	29	739604	65
737117	83	737634	47	737900	39	739605	65
737132	59	737643	59	737903	63	739606	65
737144	39	737657	45	737904	63	739613	65
737145	43	737657	47	737905	63	739614	59
737148	25	737658	45	737906	59	739627	95
737149	13	737658	47	737907	59	739628	59
737149	29	737659	45	737907	95	739629	95
737149	33	737660	45	737908	59	739630	59
737166	75	737661	45	737908	95	739675	17
737182	23	737662	45	737910	59	739712	95
737184	35	737662	47	737910	95	739713	59
737184	39	737663	45	737911	75	739737	85
737190	61	737663	47	737912	91	739782	59
737190	95	737664	45	737913	91	744395	39
737191	59	737665	45	737914	93	744396	39
737191	95	737665	47	737916	93	744397	39
737194	59	737732	47	737922	59	744399	39
737194	95	737794	73	737922	95	744400	39
737196	61	737795	73	737923	59	744816	15
737196	95	737796	43	737925	59	744820	15
737197	59	737797	29	737926	95	744821	15
737197	95	737797	43	737927	95	744824	15
737198	59	737798	43	737935	93	744825	15
737198	95	737799	43	737937	75	744948	85
737199	59	737800	43	737946	29	744952	85
737199	95	737800	51	737947	29	745004	51
737200	59	737803	53	737948	29	745011	29
737200	95	737803	79	737948	83	745042	83
737201	95	737803	91	737955*	29	745043	83
737212	41	737814	15	737956	59	745091	91
737218	47	737815	15	737956	95	745099	67
737218	49	737816	49	737957	59	745101	95
737234	37	737817	49	737960	79	745145	51
737256	59	737818	49	737961	79	745163	63
737260	15	737820	51	737962	81	745164	63
737265	75	737822	51	737962	83	745165	63
737309	21	737823	51	737964	57	745188	67
737370	25	737824	49	737965	57	745194	15
737370	27	737825	49	737966	57	745195	73
737371	25	737826	51	737967	83	745196	95
737371	33	737827	49	737971	37	745197	67
737372	37	737828	53	737972	29	745207	73
737373	23	737829	53	737976	57	745208	73
737378	35	737830	49	737980	63	745225	15
737378	79	737831	37	737986	65	745225	69
737378	83	737831	51	737987	61	745274	17
737379	51	737832	49	737988	61	745330	69
737383	23	737836	51	737989	61	745362	21
737386	23	737841	43	737990	61	745449	85
737421	63	737856	83	737990	95	745450	85
737422	29	737857*	29	737991	93	745451	85
737499	51	737873	27	737992	55	745530	85
737501	55	737875	29	739211	21	745584	47
737504	39	737876	29	739538	11	745607	81
737509	49	737877	39	739539	67	745632	47
737514	87	737878	39	739582	57	745654	55
737529	17	737881	67	739583	59	745659	41
737529	75	737883	25	739583	63	745673	59

Numerical index/Nummerregister

Art.No/Art.nr	Page/Sida	Art.No/Art.nr	Page/Sida	Art.No/Art.nr	Page/Sida	Art.No/Art.nr	Page/Sida
745673	95	801241	43	801328	43	802380	39
745716	55	801242	43	801329	43	802385	53
745716	69	801243	43	801330	43	802386	53
745730	53	801244	43	801332	49	802387	53
745730	79	801245	43	801333	49	802388	53
745730	91	801257	43	801334	49	802389	53
745772	81	801258	43	801336	49	802391	53
745773	59	801263	39	801337	49	802392	53
745792	59	801265	39	801339	49	802393	53
745792	95	801266	39	801341	49	802394	53
745861	91	801270	39	801342	49	802401	79
748097	85	801273	39	801345	49	802402	79
748098	85	801276	41	801346	45	802403	79
748101	85	801277	49	801346	47	802404	87
748103	85	801280	49	801347	51	802406	79
748226	69	801282	49	801348	39	802407	79
748358	47	801283	51	801374	49	802408	79
748359	47	801284	51	801375	49	802409	81
748360	47	801285	51	801386	47	802410	79
748361	47	801286	49	802020	33	802411	79
748415	49	801287	49	802021	23	802411	87
749072	49	801288	51	802022	23	802412	79
749073	49	801289	51	802023	29	802413	79
749250	51	801290	49	802024	25	802414	79
749251	51	801291	49	802025	25	802415	79
749370	59	801292	49	802028	29	802416	87
749392	75	801293	51	802030	25	802417	87
749529	47	801294	51	802031	25	802418	79
749530	49	801295	51	802033	39	802420	93
749531	49	801297	49	802034	39	802422	93
749532	35	801298	49	802035	39	802435	15
753288	35	801299	49	802038	29	802437	79
753676*	29	801300	49	802039	87	802439	69
801022	43	801301	51	802040	37	802443	15
801038	43	801302	51	802041	33	802448	15
801070	49	801303	49	802042	39	802449	15
801074	45	801304	45	802043	55	802450	79
801074	47	801304	47	802044	55	802456	79
801074	49	801304	49	802045	55	802456	83
801081	51	801305	51	802046	55	802458	79
801098	43	801306	51	802047	29	802458	83
801101	45	801307	45	802048	29	802459	69
801101	47	801307	47	802053	29	802460	69
801112	45	801308	45	802054	29	802461	15
801112	47	801309	45	802096	25	802464	15
801119	43	801309	47	802097	25	802466	69
801125	39	801310	45	802098	25	802469	69
801150	49	801310	47	802299	53	802470	83
801181	43	801311	45	802312	13	802471	69
801183	43	801311	47	802312	59	802472	69
801189	51	801312	45	802314	27	802477	83
801191	51	801312	47	802315	27	802491	83
801192	51	801314	45	802326	53	802492	83
801195	51	801315	45	802327	53	802493	83
801225	43	801316	45	802337	13	802499	15
801226	49	801316	47	802338	91	802499	69
801228	43	801317	45	802342	27	802501	87
801229	43	801317	47	802344	27	802502	87
801230	43	801318	45	802345	27	802503	75
801231	43	801318	47	802346	27	802504	75
801232	43	801321	39	802360	29	802505	75
801234	43	801322	45	802367	21	802506	75
801236	43	801322	47	802368	13	802506	87
801237	43	801323	43	802369	13	802507	75
801238	43	801324	43	802375	37	802508	75
801239	49	801327	43	802376	37	802509	75

Numerical index/Nummerregister

Art.No/Art.nr	Page/Sida	Art.No/Art.nr	Page/Sida	Art.No/Art.nr	Page/Sida	Art.No/Art.nr	Page/Sida
802510	75	802597	79	802809	37	805285	35
802511	75	802598	79	802810	23	805286	35
802512	75	802601	91	802811	23	805287	35
802513	75	802648	75	802813	27	805288	35
802514	87	802649	75	802814	27	805289	33
802515	87	802650	75	802815	27	805289	35
802516	91	802651	75	802816	29	805434	15
802517	91	802653	91	802817	91	809258	15
802520	91	802670	55	802818	95	811165*	29
802521	91	802672	55	802820	53	811167*	29
802522	91	802675	83	802821	53	905946	45
802524	91	802676	81	802823	53	905946	47
802526	93	802676	83	802827	35		
802527	93	802678	81	802832	33		
802528	93	802678	83	802833	53		
802529	93	802679	83	802834	53		
802530	93	802680	75	802835	33		
802531	93	802682	75	802838	29		
802532	75	802684	55	802839	29		
802532	87	802691	75	802840	29		
802532	93	802692	75	802842	37		
802533	75	802694	19	802843	23		
802533	87	802694	71	802843	29		
802533	93	802718	13	802844	29		
802535	87	802722	79	802845	37		
802545	75	802726	73	802846	53		
802552	91	802728	89	802847	13		
802552	93	802729	89	802848	69		
802553	13	802730	91	802848	93		
802554	13	802732	83	802850	13		
802558	93	802733	79	802851	13		
802559	91	802734	83	802852	13		
802560	15	802735	83	802853	13		
802560	69	802737	15	802854	11		
802561	79	802741	15	802855	29		
802563	79	802741	19	802861	37		
802564	15	802741	71	802863	55		
802564	69	802741	73	802864	23		
802565	15	802746	15	802866	13		
802565	69	802747	15	802867	11		
802567	93	802751	15	802867	21		
802568	93	802751	69	802868	13		
802569	91	802753	19	802869	13		
802570	91	802753	71	802870	63		
802572	13	802753	73	802874	59		
802577	93	802767	15	802875	55		
802578	93	802767	69	802876	55		
802581	75	802768	15	802877	55		
802583	19	802768	69	802878	55		
802583	71	802769	69	802879	55		
802585	19	802771	15	802880	55		
802585	71	802782	69	802881	55		
802585	73	802787	67	802882	55		
802586	19	802790	73	802883	55		
802586	71	802797	91	802887	63		
802586	73	802798	81	802888	89		
802587	19	802799	69	802906	73		
802587	71	802800	39	802907	73		
802587	73	802801	29	802908	21		
802588	79	802802	13	802928	63		
802589	79	802803	29	802929	63		
802589	83	802804	23	802930	63		
802590	83	802805	23	802989	23		
802592	79	802806	23	803326	55		
802594	87	802807	37	803327	55		
802596	79	802808	23	804180	73		

Numerical index/Nummerregister

Art.No/Art.nr	Page/Sida	Art.No/Art.nr	Page/Sida	Art.No/Art.nr	Page/Sida	Art.No/Art.nr	Page/Sida



LasermxRoll Systems AB
Långgatan 21, SE-341 32 Ljungby, Sweden
Tel +46 372 256 00, Fax +46 372 828 37
www.lasermxroll.com

DISTRIBUTOR: